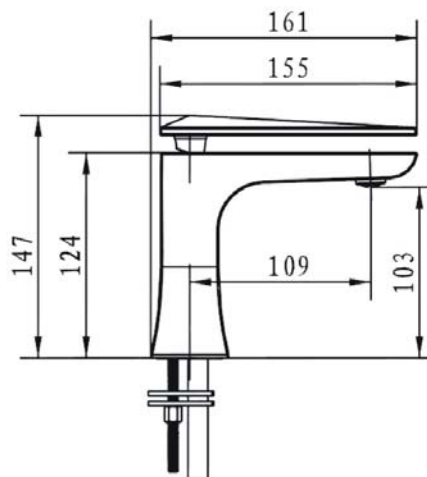


Ebony Ebony Basin Mixer

Product Specification

Product Code: EBY BAS C
Finish: Chrome plated
Product Type: Traditional
Construction: Bodies are of all brass construction and are designed to conform to BS EN 200
Valve Type: 22mm ceramic disc cartridge
Supply: Suitable for all plumbing systems
Inlet Connections: G 1/2" BSP
Working Pressures: Min 0.1 Bar Max 5.0 Bar



Additional Information

- Supplied with metal fixing nut
- Supplied with clicker waste
- Chrome plated to BSN EN 248

Technical Advice: For further information please call 0844 7016273 or email customer@bristan.com.

Guarantee: 5 years covering manufacturing faults.

Flow Rates (litres per minute)

System Pressure	0.1bar	0.3bar	0.5bar	1.0 bar	2.0 bar	3.0bar	4.0bar	5.0bar
EBY BAS C (Hot)	2.8	4.4	6.1	8.5	12	14.7	17	19
EBY BAS C (Cold)	2.6	4.3	5.7	8.2	11.8	14.5	16.9	18.89
EBY BAS C (Mixed)	2.7	4.3	6.8	7.9	11.2	13.7	15.9	17.77

Bristan, Birch Coppice Business Park, Dordon, Tamworth, B78 1SG
 Telephone: 0844 701 6274 Facsimile: 0844 701 6275
 Web Site: www.bristan.com Email: enquire@bristan.com



The information contained on this page was correct at date of issue. Fitting dimensions are provided as a guide only. Some variation may occur due to manufacturing tolerances. Bristan pursues a policy of continuing improvement in design and performance of its products and so reserves the right to change specifications without prior notice.