

TECHNICAL DATA SHEET

CHOCOLATE SINK MIXER

Chocolate Easyfit Kitchen Sink Mixer Chrome Plated

Product Specification

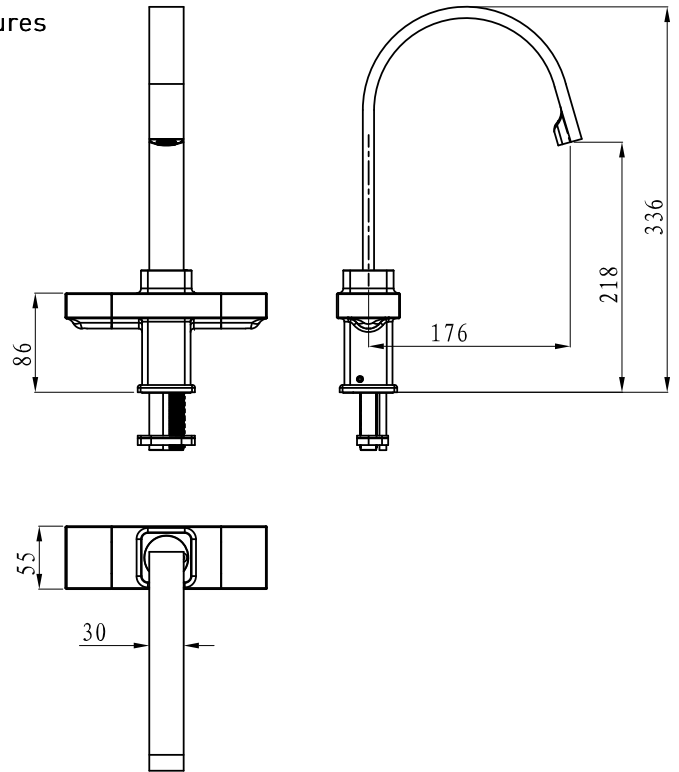
Product Code:	CHO EFSNK C
Finish:	Chrome
Product Type:	Contemporary
Construction:	Body is of brass construction and is designed to conform to BS EN 200
Valve Type:	Ceramic Cartridge
Supply:	Suitable for all plumbing systems Preferably Balances Pressures
Inlet Connections:	1/2" BSP
Working Pressures:	Min 0.5bar, Max 5.0bar

Easyfit
FASTER. SMARTER.



Additional Information

- Unique patented technology.
- Designed with the installer in mind to ensure installation and future maintenance is made quick and easy.
- Ceramic disc cartridge for added durability and ease of use.
- Supplied with flexible connecting pipes.
- Supplied with easy to use metal lever handle.
- Chrome plated to BS EN 248.



Technical Advice: For further information please call 0844 7016273 or email customer@bristan.com
Guarantee: 5 years covering manufacturing faults.

Flow Rates (litres per minute)

System Pressure	0.5bar	1.0bar	2.0bar	3.0bar
CHO EFSNK C (Mixed)	12.7	19.0	27.1	33.5

Bristan, Birch Coppice Business Park, Dordon, Tamworth, B78 1SG
 Telephone: 0844 701 6274 Facsimile: 0844 701 6275
 Web Site: www.bristan.com Email: enquire@bristan.com



EASY TO USE



Guarantee



Delivery



0844 7016273

The information contained on this page was correct at date of issue. Fitting dimensions are provided as a guide only. Some variation may occur due to manufacturing tolerances. Bristan pursues a policy of continuing improvement in design and performance of its products and so reserves the right to change specifications without prior notice.

D1