

TECHNICAL DATA SHEET

JAVA SF SINK MIXER

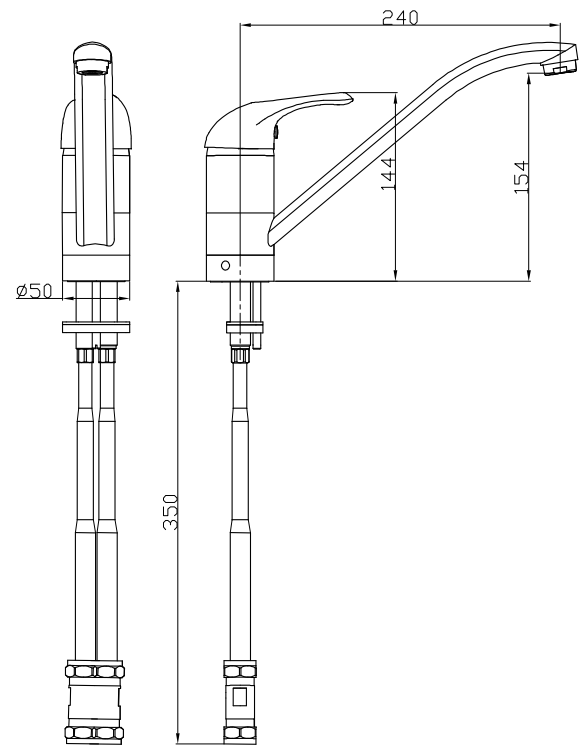
Java Easyfit Kitchen Sink Mixer
Chrome Plated

Product Specification

Product Code: J SFSNK EF C
Finish: Chrome
Product Type: Contemporary
Construction: Body is of brass construction and is designed to conform to BS EN 200
Valve Type: Ceramic Cartridge
Supply: Suitable for all plumbing systems
Inlet Connections: ½" BSP
Working Pressures: Min 0.3bar, Max 5.0bar



Easyfit
FASTER. SMARTER.



Additional Information

- Unique patented technology.
- Designed with the installer in mind to ensure installation and future maintenance is made quick and easy.
- Ceramic disc cartridge for added durability and ease of use.
- Supplied with flexible connecting pipes.
- Supplied with easy to use metal lever handle.
- Chrome plated to BS EN 248.

Technical Advice: For further information please call 0844 7016273 or email customer@bristan.com

Guarantee: 5 years covering manufacturing faults.

Flow Rates (litres per minute)

System Pressure	0.3bar	0.5bar	1.0bar	2.0bar	3.0bar
J SFSNK EF C (Mixed)	12	16	23.5	33.6	41.3

Bristan, Birch Coppice Business Park, Dordon, Tamworth, B78 1SG
 Telephone: 0844 701 6274 Facsimile: 0844 701 6275
 Web Site: www.bristan.com Email: enquire@bristan.com



EASY TO USE



Guarantee



Delivery



0844 7016273

D1

The information contained on this page was correct at date of issue. Fitting dimensions are provided as a guide only. Some variation may occur due to manufacturing tolerances. Bristan pursues a policy of continuing improvement in design and performance of its products and so reserves the right to change specifications without prior notice.