

TECHNICAL DATA SHEET

SAIL DUAL CONTROL RANGE SAI SHCDIV C

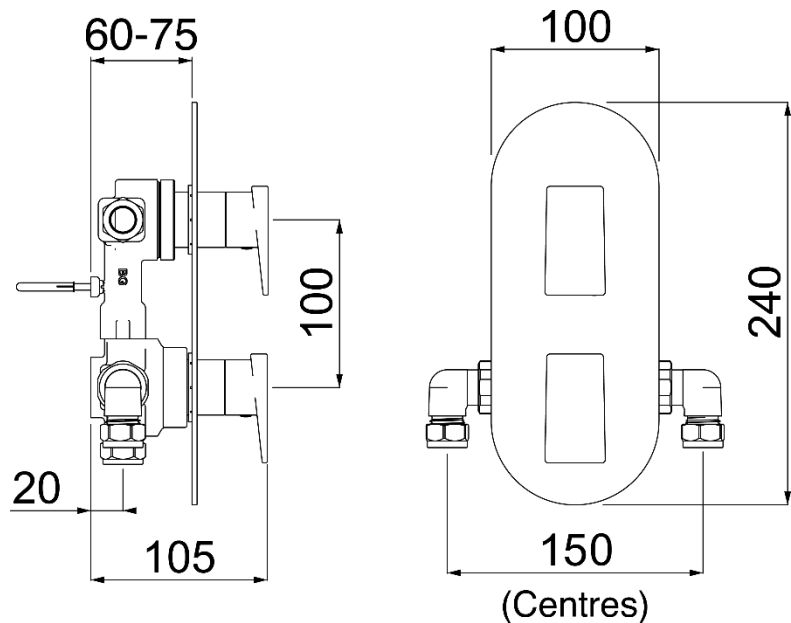
Product Specification

Product Code:	SAI SHCDIV C
Finish:	Chrome
Product Type:	Contemporary
Construction:	Body is of brass construction and is designed to conform to BS EN 2000
Cartridge Type:	Ceramic disc valve
Supply:	Suitable for all plumbing conditions, preferably balanced. The inlet hot water temperature must be at least 10% above the required blend temperature.
Inlet Connections:	15mm Compression connections
Working Pressures:	Working pressures 0.2-5.0 Bar
Maximum Static Pressure:	10 Bar



Additional Information

- Chrome plated to BS EN 248
- Suitable for cavities between 58-75mm
- Minimum cold water supply temperature is 5°C
- Maximum hot water supply temperature is 80°C
- Flow rate at 0.2 Bar (open outlet without flow regulators) is 8 l/min
- Requires rear access to service the filters
- Cartridge can be accessed from front



Technical Advice: For further information please call 0844 7016273 or email customer care@bristan.com

Guarantee: 5 years covering manufacturing faults.

System Pressure	0.1bar	0.2bar	0.5bar	1.0bar	2.0bar
SAI SHCDIV C - Outlet 1	3.5	6.9	12.8	19	27.6
SAI SHCDIV C - Outlet 2	2.6	6.7	12.5	18.5	27

Bristan, Birch Coppice Business Park, Dordon, Tamworth, B78 1SG
 Telephone: 0844 701 6274 Facsimile: 0844 701 6275
 Web Site: www.bristan.com Email: enquire@bristan.com



The information contained on this page was correct at date of issue. Fitting dimensions are provided as a guide only. Some variation may occur due to manufacturing tolerances. Bristan pursues a policy of continuing improvement in design and performance of its products and so reserves the right to change specifications without prior notice.