

TECHNICAL DATA SHEET

BRISTAN

CHOICES TAP RANGE

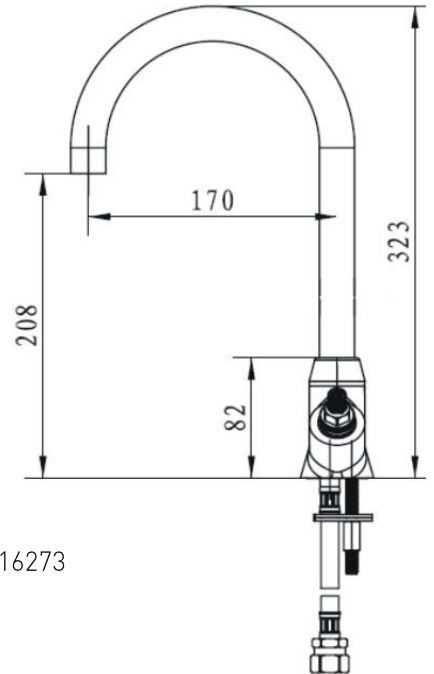
Choices Monobloc Sink Mixer Chrome Plated

Product Specification

Product Code:	CHC SNK C
Finish:	Chrome
Product Type:	Contemporary
Construction:	Body is of brass construction and is designed to conform to BS EN 200
Cartridge Type:	1/4 turn 1/2" Ceramic Disc Valves
Supply:	Suitable for all plumbing systems
Inlet Connections:	M10 x 15mm connecting pipes
Working Pressures:	Min 0.2bar, Max 7.0bar



*shown with CHC SNUB C handles



Additional Information

- Handles available separately.
- Chrome plated to BS EN 248.

Technical Advice: For further information please call 0844 7016273 or email customer@bristan.com

Guarantee: 5 years covering manufacturing faults.

Flow Rates (litres per minute)

System Pressure	0.2bar	0.5bar	1.0bar	2.0bar	3.0bar	5.0bar
CHC SNK C (hot)	4.2	7.4	11.0	15.9	19.6	--
CHC SNK C (Cold)	4.6	8.1	11.5	16.7	20.8	--
CHC SNK C (Mixed)	8.8	15.5	22.5	32.6	40.4	--

Bristan, Birch Coppice Business Park, Dordon, Tamworth, B78 1SG
Telephone: 0844 701 6274 Facsimile: 0844 701 6275
Web Site: www.bristan.com Email: enquire@bristan.com



D1

The information contained on this page was correct at date of issue. Fitting dimensions are provided as a guide only. Some variation may occur due to manufacturing tolerances. Bristan pursues a policy of continuing improvement in design and performance of its products and so reserves the right to change specifications without prior notice. For latest prices and delivery to your door visit MyTub Ltd - www.mytub.co.uk - info@mytub.co.uk