

CHOICES TAP RANGE

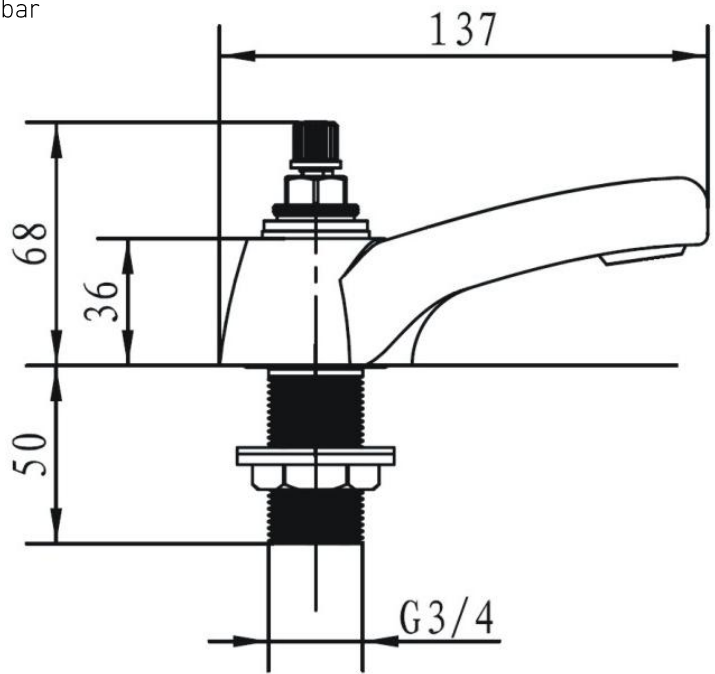
Choices Bath Taps Chrome Plated

Product Specification

Product Code:	CHC 3/4 C
Finish:	Chrome
Product Type:	Contemporary
Construction:	Body is of brass construction and is designed to conform to BS EN 200
Cartridge Type:	1/4 turn 3/4" Ceramic Disc Valves
Supply:	Suitable for all plumbing systems
Inlet Connections:	3/4" BSP
Working Pressures:	Min 0.2bar, Max 5.0bar



*shown with CHC SNUB C handles



Additional Information

- Handles available separately.
- Chrome plated to BS EN 248.
- Supplied with metal backnuts

Technical Advice: For further information please call 0844 7016273 or email customer@bristan.com

Guarantee: 5 years covering manufacturing faults.

Flow Rates (litres per minute)

System Pressure	0.2bar	0.5bar	1.0bar	2.0bar	3.0bar	5.0bar
CHC 3/4 C	16.4	28.0	38.9	55.0	67.3	86.9