

## CHOICES TAP RANGE

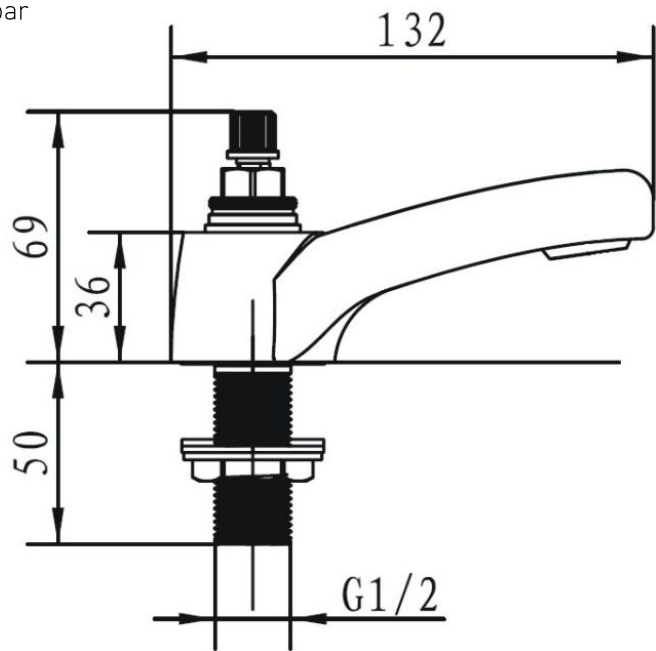
### Choices Basin Taps Chrome

#### Product Specification

Product Code:	CHC ½ C
Finish:	Chrome
Product Type:	Contemporary
Construction:	Body is of brass construction and is designed to conform to BS EN 200
Cartridge Type:	1/4 turn ½" Ceramic Disc Valves
Supply:	Suitable for all plumbing systems
Inlet Connections:	½" BSP
Working Pressures:	Min 0.2bar, Max 5.0bar



\*shown with CHC SNUB C handles



#### Additional Information

- Handles available separately.
- Chrome plated to BS EN 248.
- Supplied with metal backnuts

Technical Advice: For further information please call 0844 7016273 or email [customer@bristan.com](mailto:customer@bristan.com)

Guarantee: 5 years covering manufacturing faults.

#### Flow Rates (litres per minute)

System Pressure	0.2bar	0.5bar	1.0bar	2.0bar	3.0bar	5.0bar
CHC ½ C (Hot)	7.1	11.9	17.4	24.0	30.1	38.9
CHC ½ C (Cold)	7.2	12.4	18.1	25.5	31.3	40.4