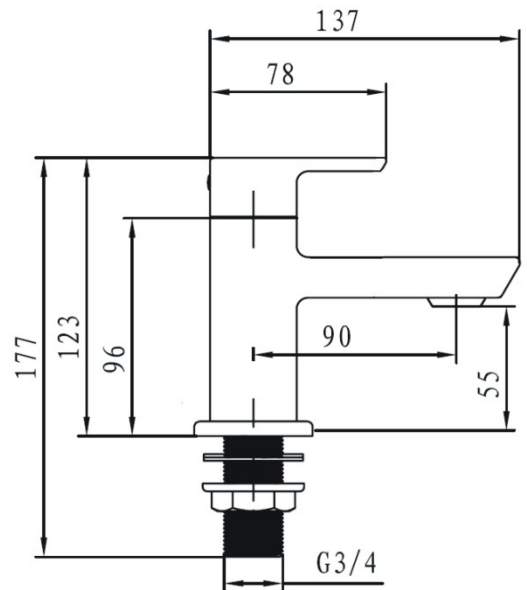


COBALT TAP RANGE

Cobalt Bath Taps Chrome Plated

Product Specification

Product Code:	COB ¾ C
Finish:	Chrome
Product Type:	Contemporary
Construction:	Body is of brass construction and is designed to conform to BS EN 200
Cartridge Type:	¼ Turn ¾" Ceramic Disc Valves
Supply:	Suitable for all plumbing systems
Inlet Connections:	¾" BSP
Working Pressures:	Min 0.2bar, Max 5.0bar



Additional Information

- Supplied with metal handle.
- Chrome plated to BS EN 248.

Technical Advice: For further information please call 0844 7016273 or email customer care@bristan.com

Guarantee: 5 years covering manufacturing faults.

Flow Rates (litres per minute)

System Pressure	0.2bar	0.3bar	0.5bar	1.0bar	2.0bar	3.0bar
COB ¾ C	15.9	20.0	25.6	36.0	50.9	62.0