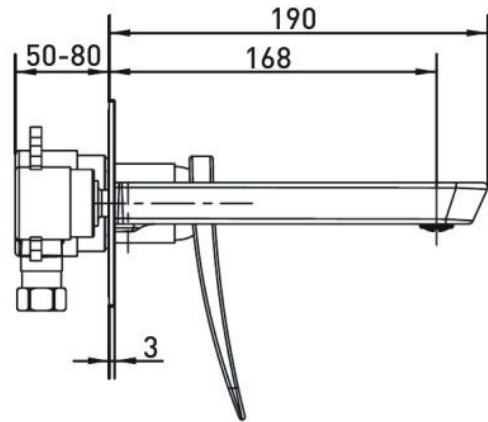
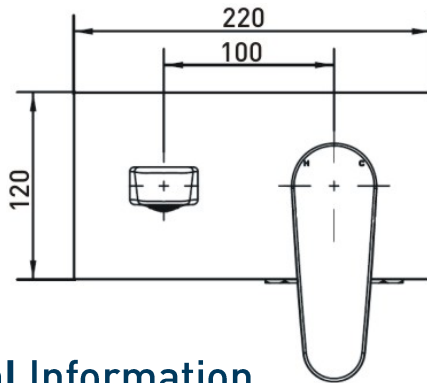


CLARET TAP RANGE

Claret Wall Mounted Bath Filler Chrome

Product Specification

Product Code:	CLR WMBF C
Finish:	Chrome
Product Type:	Contemporary
Construction:	Body is of brass construction and is designed to conform to BS EN 200
Cartridge Type:	45mm Cartridge
Supply:	Suitable for all plumbing systems
Inlet Connections:	3/4" BSP
Working Pressures:	Min 0.3bar, Max 5.0bar



Additional Information

- Supplied with metal handles.
- Chrome plated to BS EN 248.

Technical Advice: For further information please call 0844 7016273 or email customer@bristan.com

Guarantee: 5 years covering manufacturing faults.

Flow Rates (litres per minute)

System Pressure	0.3bar	0.5bar	1bar	2bar	3bar	5bar
CLR WMBF C (mixed)	13.9	18.0	26.2	31.4	35.0	38.3