

TECHNICAL DATA SHEET

SELF CLOSING

Single Luxury Soft Touch Timed Flow Basin Tap (with flow regulator)

Product Specification

Product Code:	Z2 LUX 1/2 C
Finish:	Chrome
Product Type:	Utility
Construction:	Body is of brass construction and is designed to conform to BS EN 200
Valve Type:	Self closing valve
Supply:	Suitable for all plumbing systems
Inlet Connections:	½" BSP
Working Pressures:	Min 0.5bar, Max 3.0bar

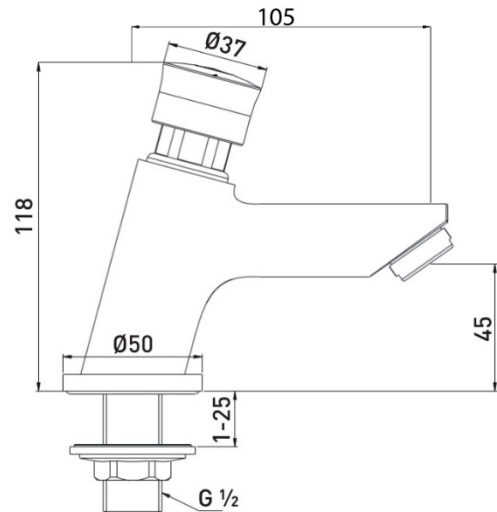


Additional Information

- Supplied with 5l/min flow limiter (not fitted)
- Timed shut-off to meet BS EN 816
- Supplied with cold and hot indices for either installation.
- Chrome plated to BS EN 248.
- Soft touch easy to use mechanism

Technical Advice: For further information please call 0844 7016273 or email customer care@bristan.com

Guarantee: 1 year covering manufacturing faults.



Compliance / Approvals

WRAS: Certificate No: 1401911

Flow Rates (litres per minute)

System Pressure	0.2bar	0.5bar	1bar	2bar	3bar	5bar
Z2 LUX 1/2 C (with flow regulator)	2.3	4.0	5.1	4.3	4.5	--
Z2 LUX 1/2 C (without flow regulator)	5.9	15.0	21.0	27.0	--	--

Bristan, Birch Coppice Business Park, Dordon, Tamworth, B78 1SG
 Telephone: 0844 701 6274 Facsimile: 0844 701 6275
 Web Site: www.bristan.com Email: enquire@bristan.com



D5

The information contained on this page was correct at date of issue. Fitting dimensions are provided as a guide only. Some variation may occur due to manufacturing tolerances. Bristan pursues a policy of continuing improvement in design and performance of its products and so reserves the right to change specifications without prior notice.