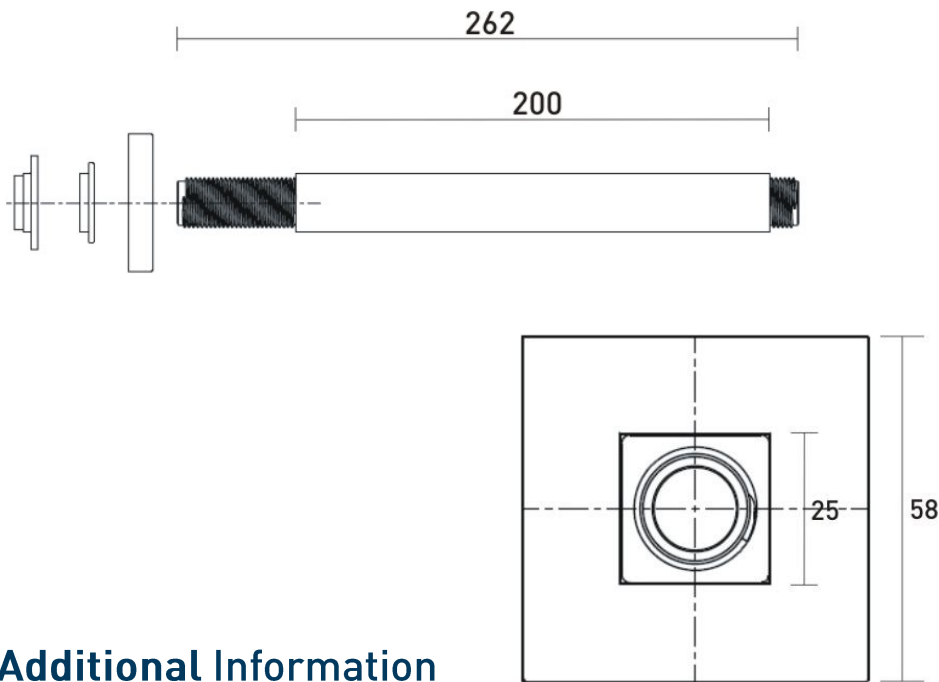


SHOWER ACCESSORIES

200mm Ceiling Fed Shower Arm Chrome Plated

Product Specification

Product Code:	ARM CFSQ02 C
Finish:	Chrome
Product Type:	Contemporary
Supply:	Suitable for all plumbing systems
Inlet Connections:	½" BSP
Working Pressures:	Min 0.2bar, Max 8.0bar



Additional Information

- Supplied with metal backnut.
- Chrome plated to BS EN 248.
- Designed to be used in conjunction with Bristan shower heads/roses and shower valves.

Technical Advice: For further information please call 0844 7016273 or email customer@bristan.com

Guarantee: 5 years covering manufacturing faults.