

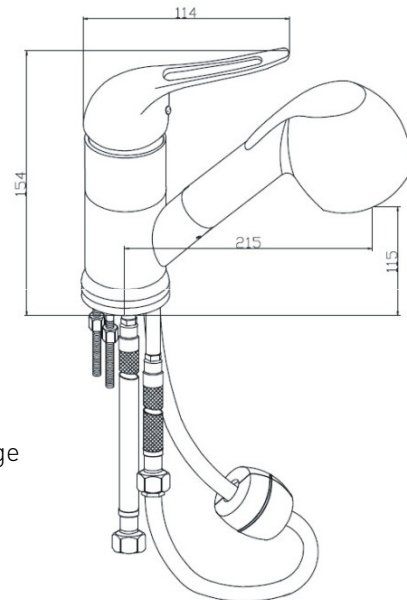
TECHNICAL DATA SHEET

PEAR SINK MIXER

PEAR Kitchen Sink Mixer with Pull Out Hose Chrome Plated

Product Specification

| | |
|---------------------------|---|
| Product Code: | PEA PULLSNK C |
| Finish: | Chrome |
| Product Type: | Contemporary |
| Construction: | Body is of brass construction and is designed to conform to BS EN 2 |
| Valve Type: | Ceramic Cartridge |
| Supply: | Suitable for all plumbing systems |
| Inlet Connections: | ½" BSP |
| Working Pressures: | Min 1.5bar, Max 8.0bar |



Additional Information

- Single lever control with smooth turning, longer lasting ceramic cartridge
- Pull Out Hose allows for handset use with spray function.
- Product supplied with flexible connection pipes for easier installation.
- Chrome plated to BS EN 248.

Technical Advice: For further information please call 0844 7016273 or email customer care@bristan.com

Guarantee: 5 years covering manufacturing faults.

Flow Rates (litres per minute)

| System Pressure | 1.5bar | 2.0bar | 3.0bar | 4.0bar | 5.0bar |
|-------------------------------|--------|--------|--------|--------|--------|
| PEA PULLSNK C (Mixed) | 8.2 | 9.5 | 11.7 | 13.5 | 15.2 |
| PEA PULLSNK C (Spray - Mixed) | 6.2 | 7.2 | 8.7 | 10.5 | 11.0 |

Bristan, Birch Coppice Business Park, Dordon, Tamworth, B78 1SG
Telephone: 0844 701 6274 Facsimile: 0844 701 6275
Web Site: www.bristan.com Email: enquire@bristan.com



The information contained on this page was correct at date of issue. Fitting dimensions are provided as a guide only. Some variation may occur due to manufacturing tolerances. Bristan pursues a policy of continuing improvement in design and performance of its products and so reserves the right to change specifications without prior notice.

D1