

## TECHNICAL DATA SHEET

### CHAMPAGNE SINK MIXER

CHAMPAGNE Easyfit Kitchen Sink Mixer  
Chrome Plated

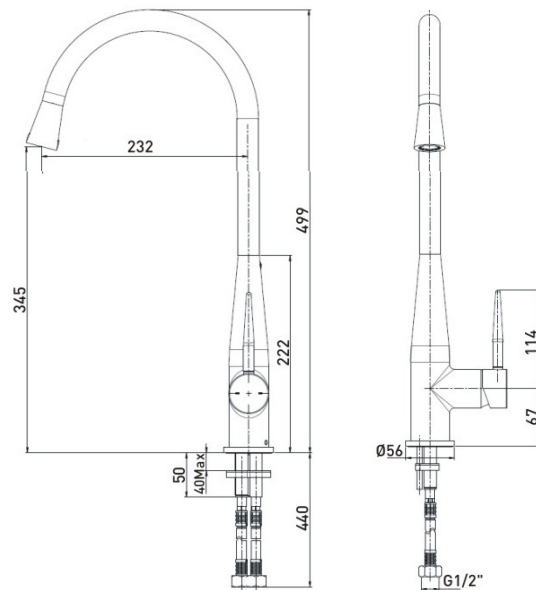
#### Product Specification

Product Code: CHM EFSNK C  
 Finish: Chrome  
 Product Type: Contemporary  
 Construction: Body is of brass construction and is designed to conform to BS EN 200  
 Valve Type: Ceramic Cartridge  
 Supply: Suitable for all plumbing systems  
 Inlet Connections: 1/2" BSP  
 Working Pressures: Min 0.3bar, Max 8.0bar



#### Additional Information

- Unique patented technology.
- Designed with the installer in mind to ensure installation and future maintenance is made quick and easy.
- Ceramic disc cartridge for added durability and ease of use.
- Supplied with flexible connecting pipes.
- Supplied with easy to use metal lever handle.
- Chrome plated to BS EN 248.



**Technical Advice:** For further information please call 0844 7016273 or email [customer care@bristan.com](mailto:customer care@bristan.com)

**Guarantee:** 5 years covering manufacturing faults.

#### Flow Rates (litres per minute)

System Pressure	0.3bar	0.5bar	1.0bar	2.0bar	3.0bar	4.0bar
CHM EFSNK C (Mixed)	11.0	15.0	21.6	31.4	38.5	44.7

Bristan, Birch Coppice Business Park, Dordon, Tamworth, B78 1SG  
 Telephone: 0844 701 6274 Facsimile: 0844 701 6275  
 Web Site: [www.bristan.com](http://www.bristan.com) Email: [enquire@bristan.com](mailto:enquire@bristan.com)



EASY TO USE



Guarantee



Delivery



0844 7016273

The information contained on this page was correct at date of issue. Fitting dimensions are provided as a guide only. Some variation may occur due to manufacturing tolerances. Bristan pursues a policy of continuing improvement in design and performance of its products and so reserves the right to change specifications without prior notice.

D1