

TECHNICAL DATA SHEET

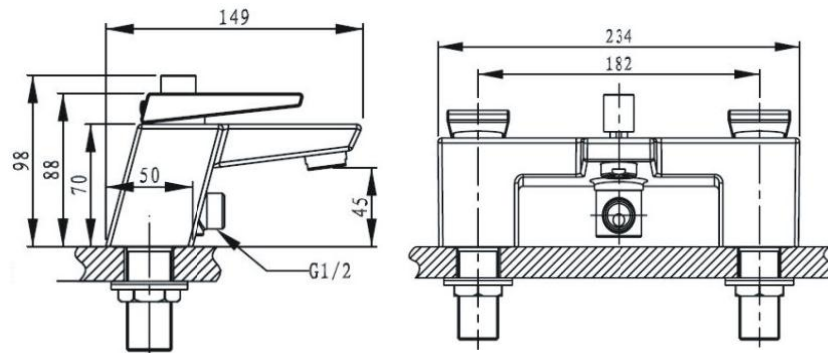
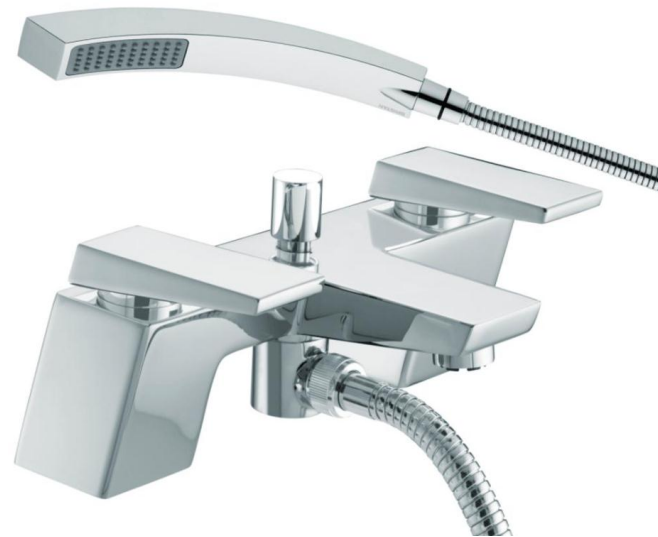
BRISTAN

Sail

Sail Bath Shower Mixer

Product Specification

Product Code:	SAI BSM C
Finish:	Chrome
Product Type:	Contemporary
Construction:	Body is of brass construction and is designed to conform to BS EN 200
Valve Type:	¼ Turn ¾" ceramic disc valves
Supply:	Suitable for all plumbing systems
Inlet Connections:	¾" BSP
Working Pressures:	Min 0.2bar, Max 8.0bar



Additional Information

- Supplied with Metal Handles.
- Supplied with Metal Backnuts, Rub Clean Handset, 1.75m Hose & Wall Bracket
- Chrome plated to BS EN 248.

Technical Advice: For further information please call 0844 7016273 or email customer@bristan.com.

Guarantee: 5 years covering manufacturing faults.

Flow Rates (litres per minute)

System Pressure	0.2bar	0.5bar	1bar	2bar	3bar	5bar
Bath Filler (Hot)	17.4	29.3	41.1	59.4	--	--
Bath Filler (Cold)	17.5	30.2	41.2	58.4	64.4	--
Bath Shower Mixer (Handset)	7.3	11.6	16.4	22.6	29.3	36.5

Bristan, Birch Coppice Business Park, Dordon, Tamworth, B78 1SG
Telephone: 0844 701 6274 Facsimile: 0844 701 6275
Web Site: www.bristan.com Email: enquire@bristan.com



D2

The information contained on this page was correct at date of issue. Fitting dimensions are provided as a guide only. Some variation may occur due to manufacturing tolerances. Bristan pursues a policy of continuing improvement in design and performance of its products and so reserves the right to change specifications without prior notice.

For latest prices and delivery to your door visit MyTub Ltd - www.mytub.co.uk - info@mytub.co.uk

