

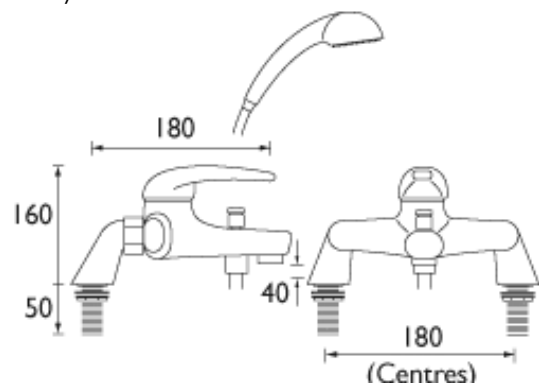
## TECHNICAL DATA SHEET

### JAVA

### JAVA PILLAR BATH SHOWER MIXER

#### Product Specification

<b>Product Code:</b>	J PBSM C
<b>Finish:</b>	Chrome
<b>Product Type:</b>	Contemporary
<b>Construction:</b>	Body is of brass construction and is designed to conform to BS EN 817
<b>Valve Type:</b>	40mm ceramic disc cartridge
<b>Supply:</b>	Suitable for all plumbing systems, ideally balanced
<b>Inlet Connections:</b>	¾" BSP
<b>Water Pressure:</b>	Min. 1.0 bar, Max. 8.0 bar
<b>Dimensions for Fitting:</b>	180mm inlet centres



#### Additional Information

- Supplied with 1.75m hose, wall bracket and single function handset with rub clean nozzles.
- Supplied with metal handle and metal backnuts.
- Chrome plated to BS EN 248.

**Technical Advice:** For further information please call 0844 7016273 or email [customercare@bristan.com](mailto:customercare@bristan.com).  
**Guarantee:** 5 years covering manufacturing faults.

#### Compliance / Approvals

##### Flow Rates (litres per minute)

System Pressure	1.0bar	1.5bar	2bar	3bar	4bar	5bar
J PBSM C (bath fill)	15.7	19.4	22.1	27.7	32.2	36.1
J PBSM C (handset)	8.6	11.0	13.1	16.9	20.5	24.0