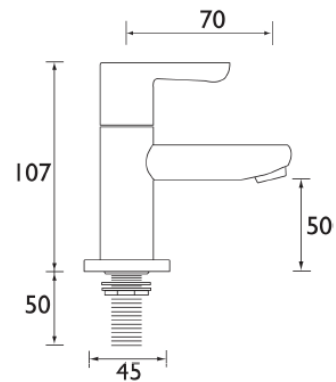


TECHNICAL DATASHEET

Nero Nero Basin Taps

Product Specification

Product Code:	NR ½ E4 C, NR ½ E6 C
Finish:	Chrome Plated
Product Type:	Contemporary
Construction:	Body is of brass construction and is designed to conform to BS EN 200
Valve Type:	½", ¼ turn ceramic disc valves
Supply:	Suitable for all plumbing systems, (preferably balanced)
Inlet Connections:	½" BSP
Working Pressures:	Min 0.2bar, Max 8.0bar



Additional Information

- Supplied with metal handles
- Supplied with metal backnuts
- Product supplied with either 2 x 4 or 2 x 6 litre per minute flow regulators which can be inserted into the threaded tail to reduce water consumption and increase water efficiency (Flow Regulator accurate +/- 10%).
- Chrome plated to BS EN 248

• **Technical Advice:** For further information please call 0844 7016273 or email customer@bristan.com

Guarantee: 5 years covering manufacturing faults.

Compliance/Approvals

Manufactured to comply with WRAS

Flow Rates (litres per minute)

System Pressure	0.2bar	0.5bar	1bar	2bar	3bar	5bar
Without Flow Regulator Fitted	7.3	12.3	17.6	25.1	30.9	--
With 4 l/p/m Flow Regulator Fitted	--	--	4.0	4.0	4.0	4.0
With 6 l/p/m Flow Regulator Fitted	--	--	6.0	6.0	6.0	6.0

Bristan, Birch Coppice Business Park, Dordon, Tamworth, B78 1SG
 Telephone: 0844 701 6274 Facsimile: 0844 701 6275
 Web Site: www.bristan.com Email: enquire@bristan.com



The information contained on this page was correct at date of issue. Fitting dimensions are provided as a guide only. Some variation may occur due to manufacturing tolerances. Bristan pursues a policy of continuing improvement in design and performance of its products and so reserves the right to change specifications without prior notice.