

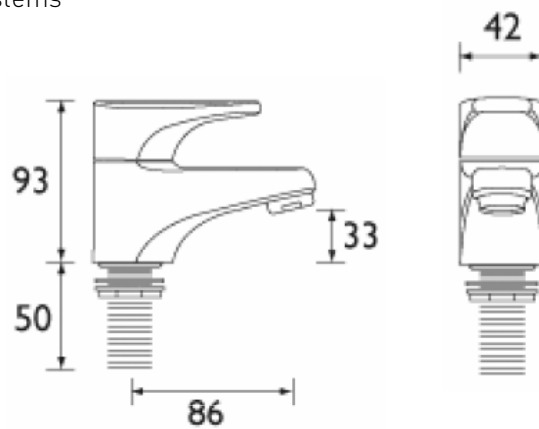
## TECHNICAL DATASHEET

### Jute

### Jute Basin Taps

### Product Specification

**Product Code:** JU ½ E4 C, JU ½ E6 C  
**Finish:** Chrome Plated  
**Product Type:** Contemporary  
**Construction:** Body is of brass construction and is designed to conform to BS EN 200 ½", ¼ turn ceramic disc valves  
**Valve Type:** Suitable for all plumbing systems  
**Supply:** ½" BSP  
**Inlet Connections:** Min 0.2bar, Max 8.0bar  
**Working Pressures:**



### Additional Information

- Supplied with metal handles
- Product supplied with either 2 x 4 or 2 x 6 litre per minute flow regulators which can be inserted into the threaded tail to reduce water consumption and increase water efficiency (Flow Regulator accurate +/- 10%).
- Chrome plated to BS EN 248

**Technical Advice:** For further information please call 0844 7016273 or email [customer@bristan.com](mailto:customer@bristan.com)

**Guarantee:** 5 years covering manufacturing faults.

### Compliance/Approvals

Manufactured to comply with WRAS

### Flow Rates (litres per minute)

System Pressure	0.2bar	0.5bar	1bar	2bar	3bar	5bar
Without Flow Regulator Fitted	7.9	13.2	19.1	27.3	33.5	43.2
With 4 l/p/m Flow Regulator Fitted	--	--	4.0	4.0	4.0	4.0
With 6 l/p/m Flow Regulator Fitted	--	--	6.0	6.0	6.0	6.0

Bristan, Birch Coppice Business Park, Dordon, Tamworth, B78 1SG  
 Telephone: 0844 701 6274 Facsimile: 0844 701 6275  
 Web Site: [www.bristan.com](http://www.bristan.com) Email: [enquire@bristan.com](mailto:enquire@bristan.com)



Guarantee

Delivery

0844 7016273

D1

The information contained on this page was correct at date of issue. Fitting dimensions are provided as a guide only. Some variation may occur due to manufacturing tolerances. Bristan pursues a policy of continuing improvement in design and performance of its products and so reserves the right to change specifications without prior notice.