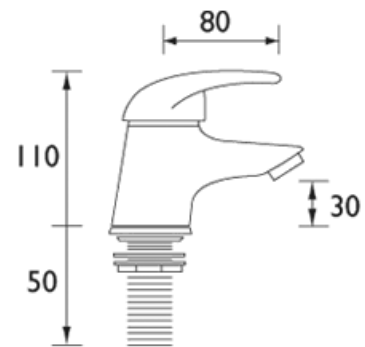


## TECHNICAL DATASHEET

### Java Java Basin Taps

#### Product Specification

<b>Product Code:</b>	J ½ E4 C, J ½ E6 C
<b>Finish:</b>	Chrome Plated
<b>Product Type:</b>	Contemporary
<b>Construction:</b>	Body is of brass construction and is designed to conform to BS EN 200 ½", ¼ turn ceramic disc valves
<b>Valve Type:</b>	Suitable for all plumbing systems
<b>Supply:</b>	½" BSP
<b>Inlet Connections:</b>	
<b>Working Pressures:</b>	Min 0.2bar, Max 8.0bar



#### Additional Information

- Supplied with metal handles & metal backnuts
- Product supplied with either 2 x 4 or 2 x 6 litre per minute flow regulators which can be inserted into the threaded tail to reduce water consumption and increase water efficiency (Flow Regulator accurate +/- 10%).
- Chrome plated to BS EN 248

• **Technical Advice:** For further information please call 0844 7016273 or email [customer@bristan.com](mailto:customer@bristan.com)

**Guarantee:** 5 years covering manufacturing faults.

#### Compliance / Approvals

Manufactured to comply with WRAS

#### Flow Rates (litres per minute)

System Pressure	0.2bar	0.5bar	1bar	2bar	3bar	5bar
Without Flow Regulator Fitted	8.2	13.6	19.8	28.4	34.7	42.5
With 4 l/p/m Flow Regulator Fitted	--	--	4.0	4.0	4.0	4.0
With 6 l/p/m Flow Regulator Fitted	--	--	6.0	6.0	6.0	6.0

Bristan, Birch Coppice Business Park, Dordon, Tamworth, B78 1SG  
Telephone: 0844 701 6274 Facsimile: 0844 701 6275  
Web Site: [www.bristan.com](http://www.bristan.com) Email: [enquire@bristan.com](mailto:enquire@bristan.com)



Guarantee

Delivery

0844 7016273

D2

The information contained on this page was correct at date of issue. Fitting dimensions are provided as a guide only. Some variation may occur due to manufacturing tolerances. Bristan pursues a policy of continuing improvement in design and performance of its products and so reserves the right to change specifications without prior notice.