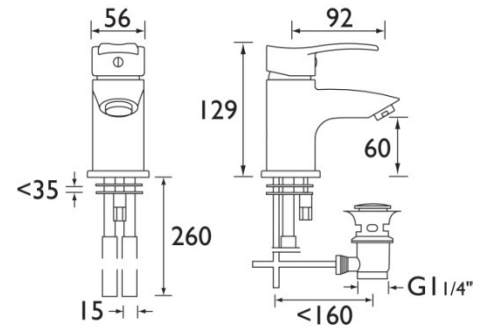


TECHNICAL DATASHEET

Capri Capri Basin Mixer With Pop-up Waste

Product Specification

Product Code:	CAP BAS E4 C, CAP BAS E6 C
Finish:	Chrome Plated
Product Type:	Contemporary
Construction:	Body is of brass construction and is designed to conform to BS EN 817
Valve Type:	40mm ceramic disc cartridge
Supply:	Suitable for all plumbing systems
Inlet Connections:	M10 x 15mm flexible connecting pipes
Working Pressures:	Min 0.2bar, Max 8.0bar



Additional Information

- Supplied with metal handles
- Product supplied with either a 3.5 or 6 litre per minute flow regulator which can be fitted to the spout outlet to reduce water consumption and increase water efficiency (Flow Regulator accurate +/- 10%).
- Chrome plated to BS EN 248

• **Technical Advice:** For further information please call 0844 7016273 or email customer-care@bristan.com

Guarantee: 5 years covering manufacturing faults.

Compliance/Approvals

Manufactured to comply with WRAS

Flow Rates (litres per minute)

System Pressure	0.2bar	0.5bar	1bar	2bar	3bar	5bar
Without Flow Regulator Fitted	5.3	9.3	13.4	19.2	23.6	30.6
With 3.5 l/p/m Flow Regulator Fitted	--	--	3.5	3.5	3.5	3.5
With 6 l/p/m Flow Regulator Fitted	--	--	6.0	6.0	6.0	6.0

Bristan, Birch Coppice Business Park, Dordon, Tamworth, B78 1SG
 Telephone: 0844 701 6274 Facsimile: 0844 701 6275
 Web Site: www.bristan.com Email: enquire@bristan.com



Guarantee

Delivery

0844 7016273

D1

The information contained on this page was correct at date of issue. Fitting dimensions are provided as a guide only. Some variation may occur due to manufacturing tolerances. Bristan pursues a policy of continuing improvement in design and performance of its products and so reserves the right to change specifications without prior notice.