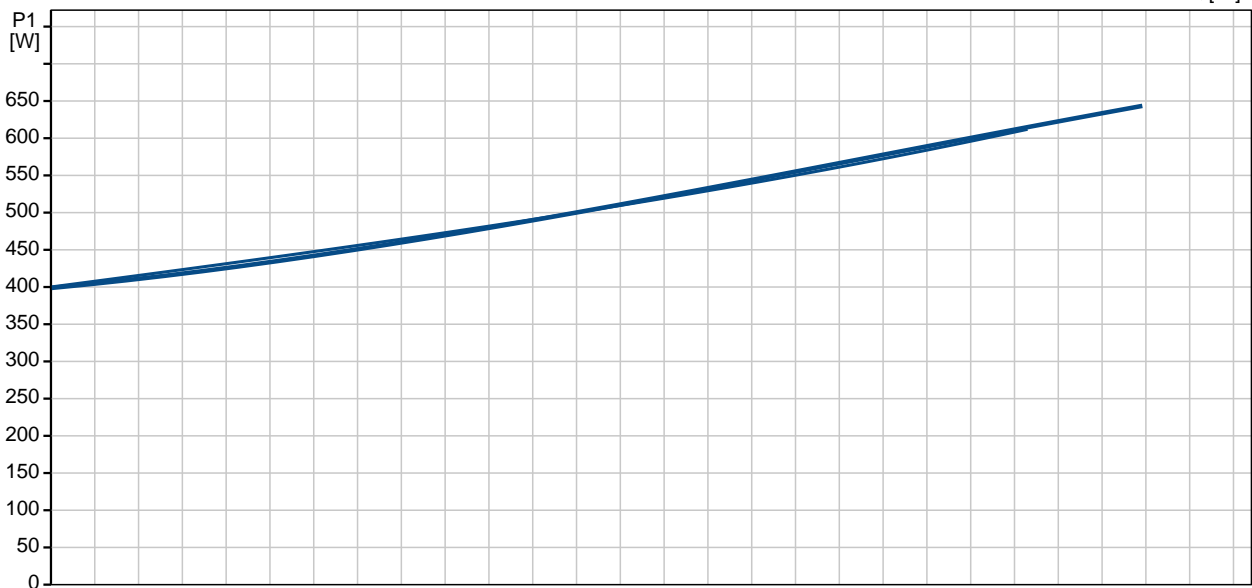
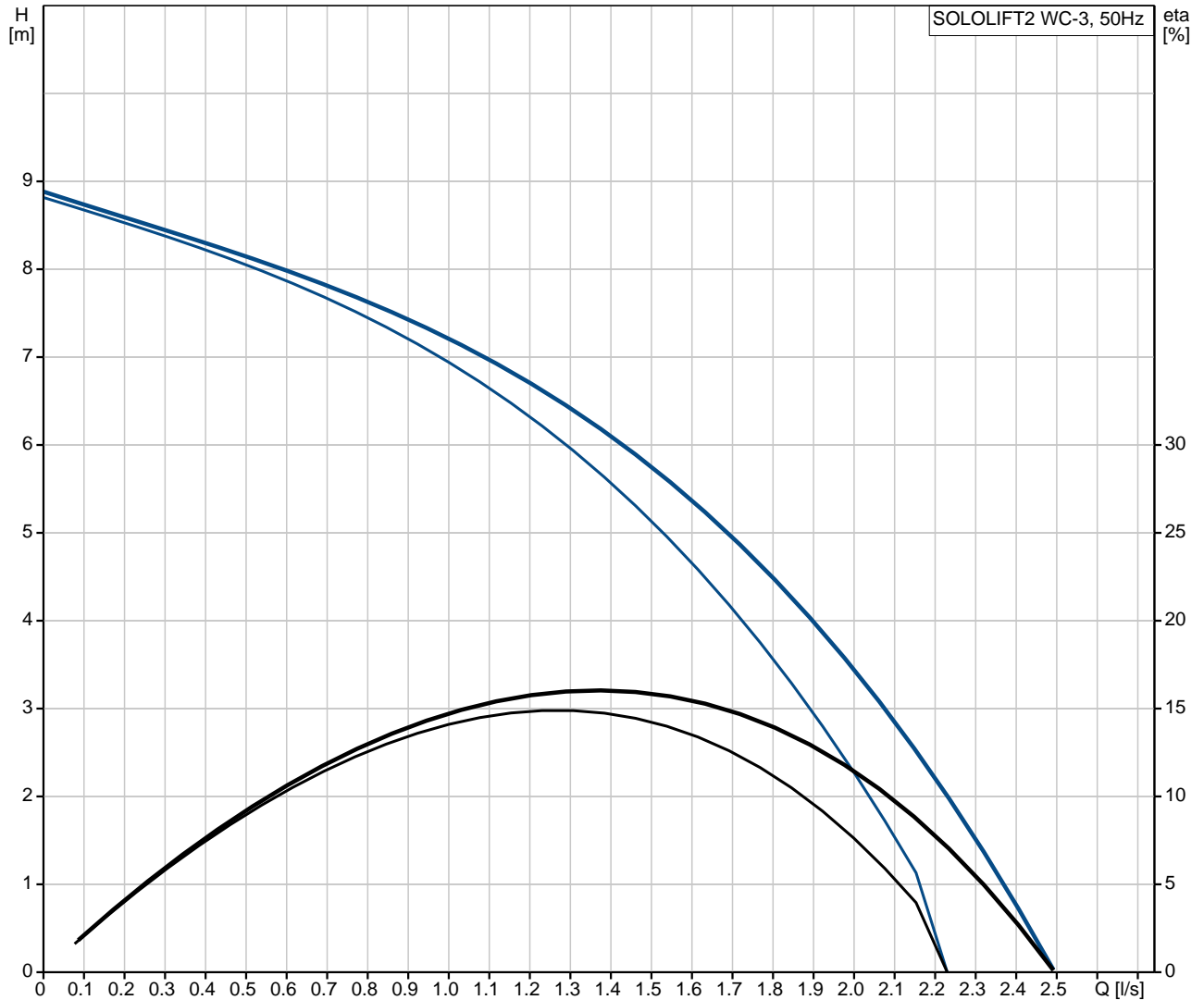




**97775330 SOLOLIFT2 WC-3 50 Hz**



Description	Value
-------------	-------

**General information:**

Product name:	SOLOLIFT2 WC-3
Position:	
Product No:	97775330
EAN number:	5710624187395
Price:	On request

**Technical:**

Head max:	8.5 m
Approvals on nameplate:	CE,TR,LGA,VDEEMV,VDE
Curve tolerance:	ISO9906:2012 3B

**Installation:**

Pump inlet:	32/36/40, 36/40/50, DN 100
Pump outlet:	22/25/28/32/36/40
Number of leads:	3X0,75MM2

**Liquid:**

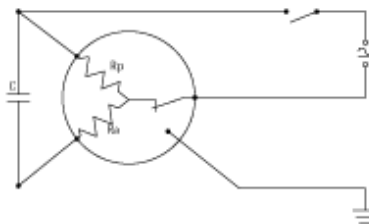
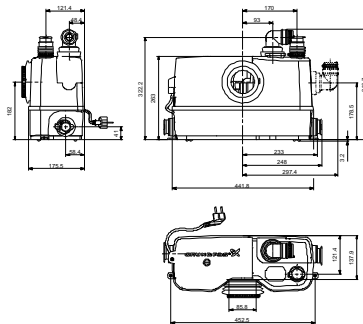
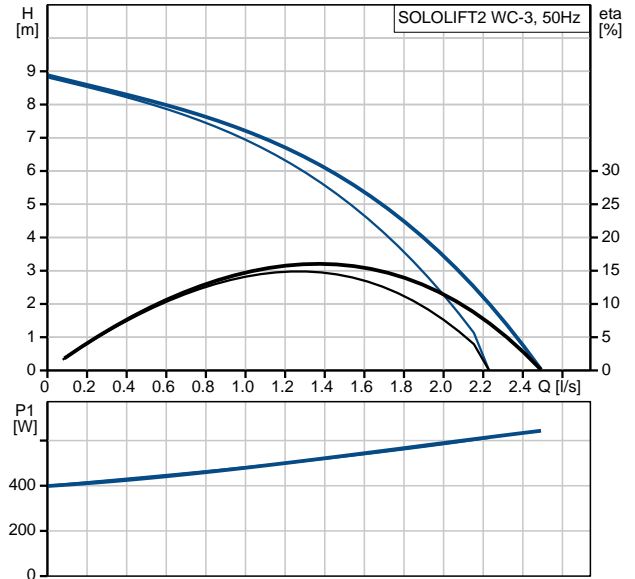
Maximum liquid temperature:	50 °C
-----------------------------	-------

**Electrical data:**

Power input - P1:	620 W
Mains frequency:	50 Hz
Rated voltage:	1 x 220-240 V
Rated current:	3 A
Cos phi - power factor:	0,92
Rated speed:	2800 rpm
Enclosure class (IEC 34-5)::	IP44
Insulation class (IEC 85):	F
Thermal protec:	THERMIK S06-150-05
Length of cable:	1.2 m
Cable type:	H05VV-F
Type of cable plug:	without

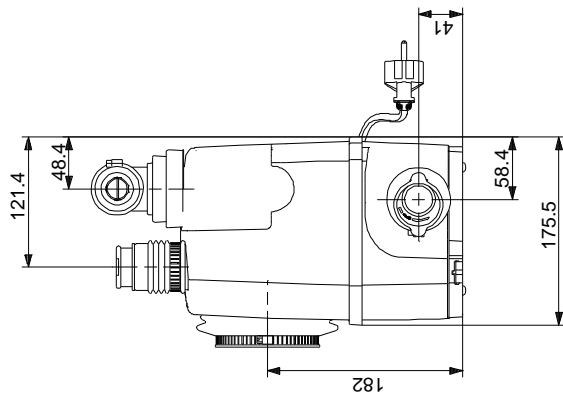
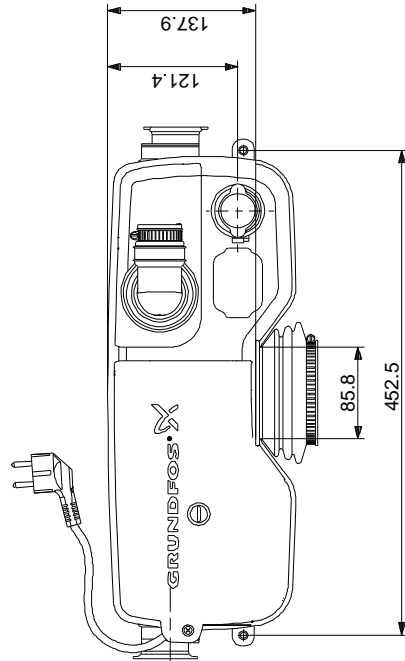
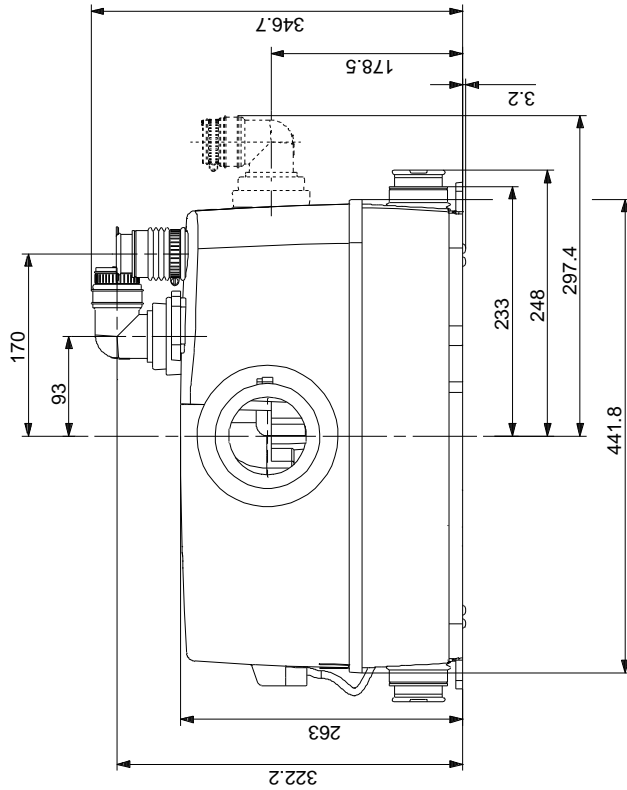
**Others:**

Net weight:	7.3 kg
Gross weight:	9.3 kg
Product range:	International





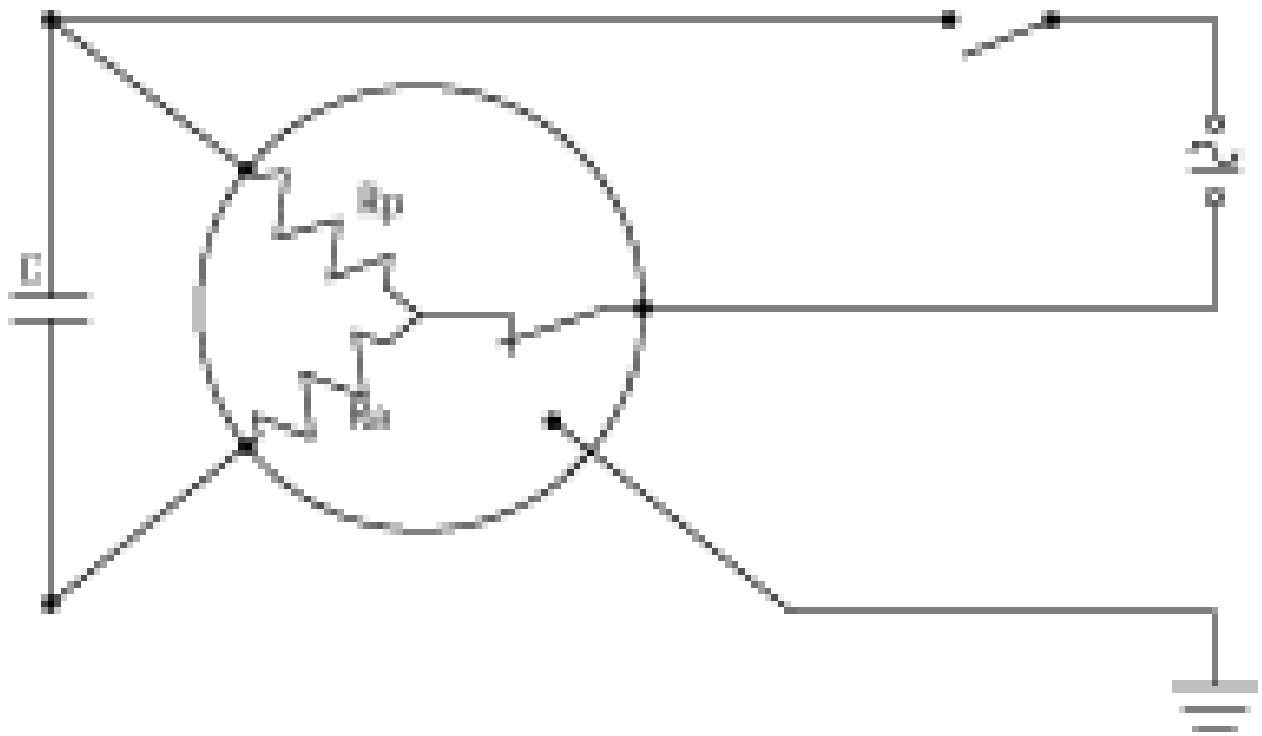
**97775330 SOLOLIFT2 WC-3 50 Hz**



Note! All units are in [mm] unless others are stated.  
 Disclaimer: This simplified dimensional drawing does not show all details.



**97775330 SOLOLIFT2 WC-3 50 Hz**



Note! All units are in [mm] unless others are stated.