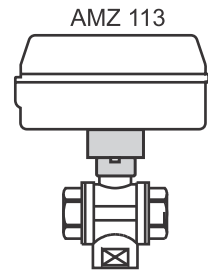
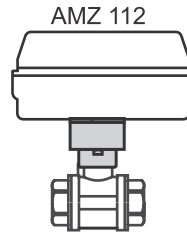
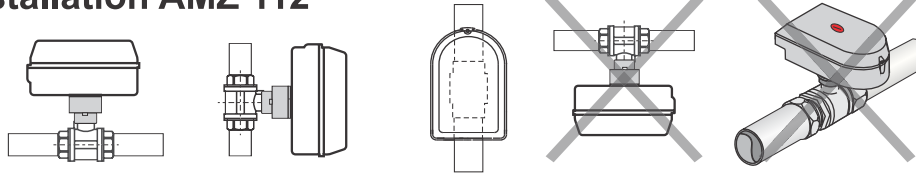




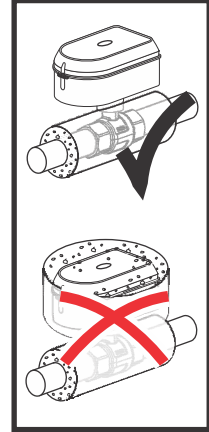
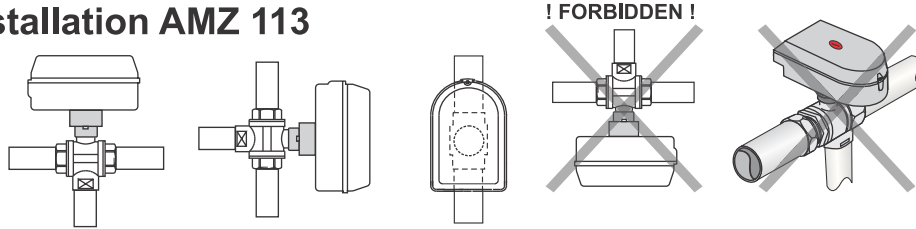
Instruction ON / OFF Zone valve AMZ 112 & AMZ 113



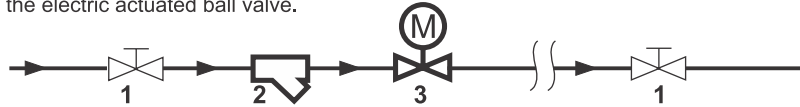
Installation AMZ 112



Installation AMZ 113

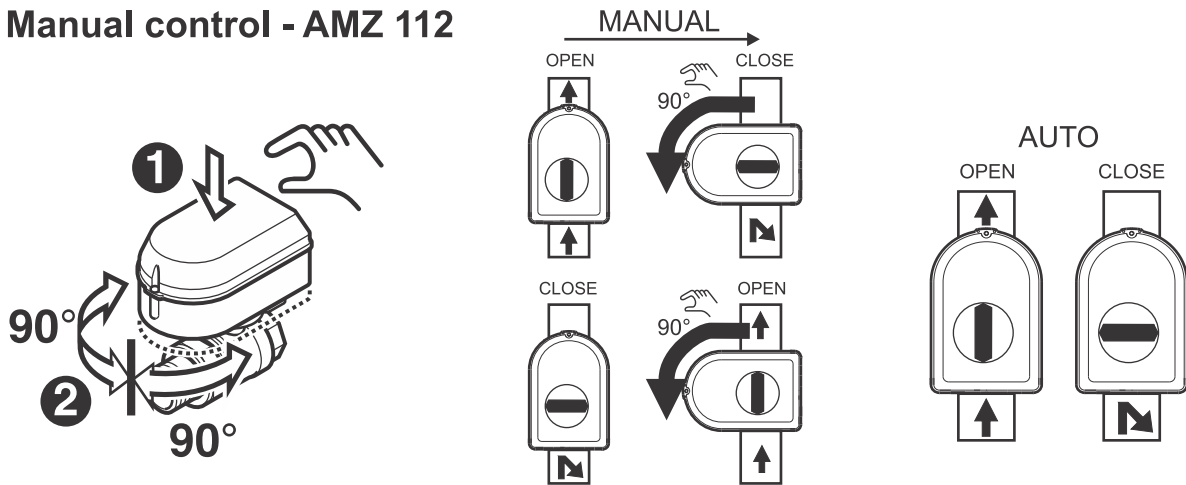


Recommended installation of the electric actuated ball valve.

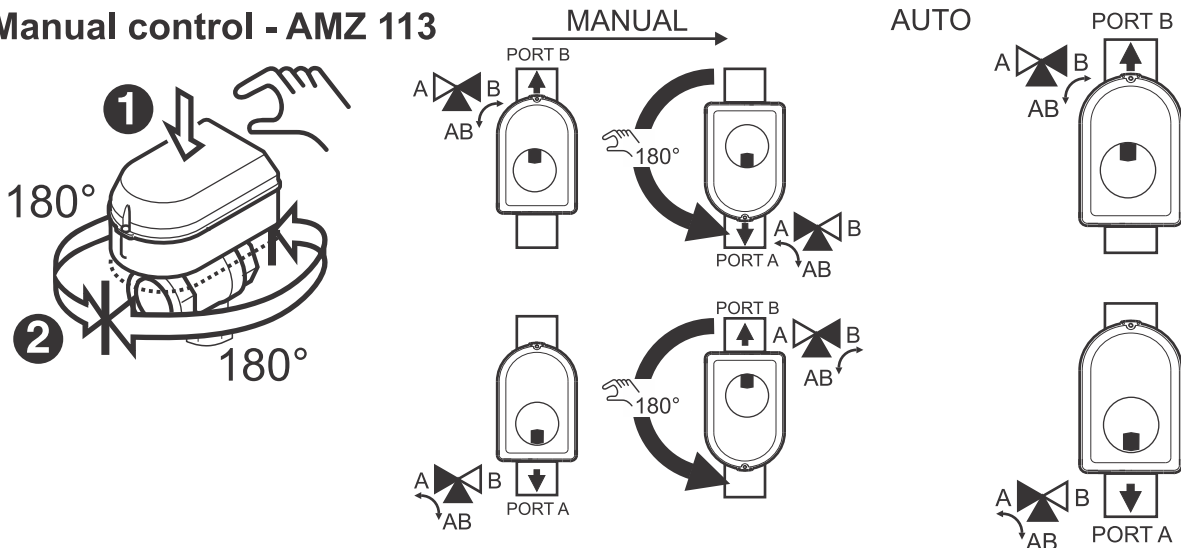


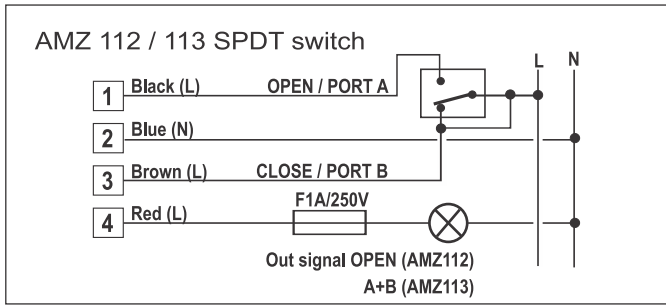
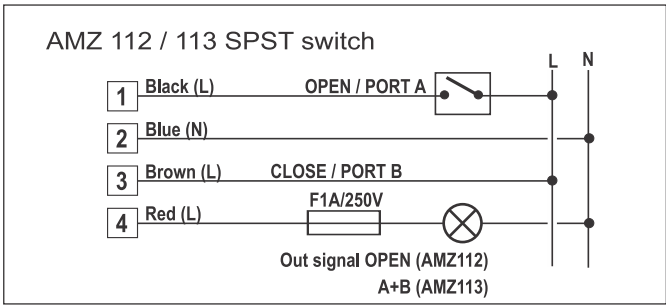
- 1 - Ball valve
- 2 - Strainer
- 3 - AMZ

Manual control - AMZ 112

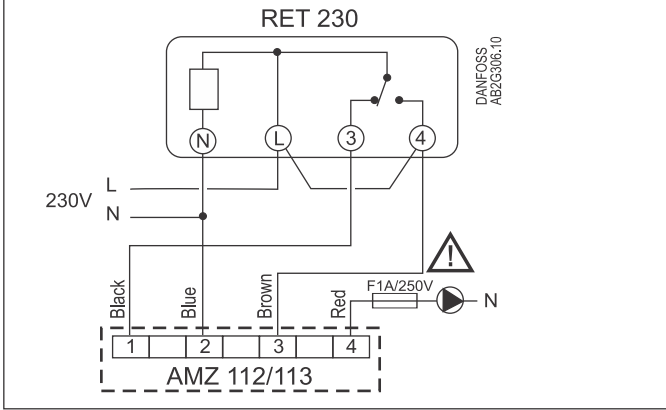


Manual control - AMZ 113

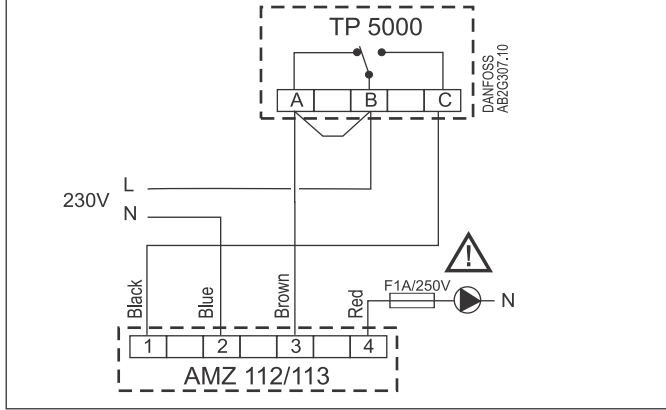




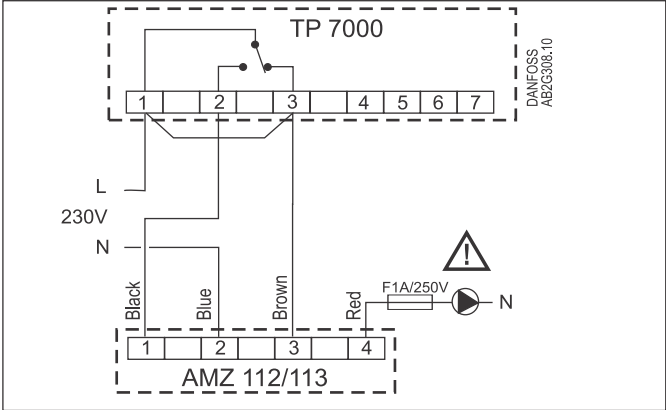
Room thermostat RET 230 + AMZ 112/113



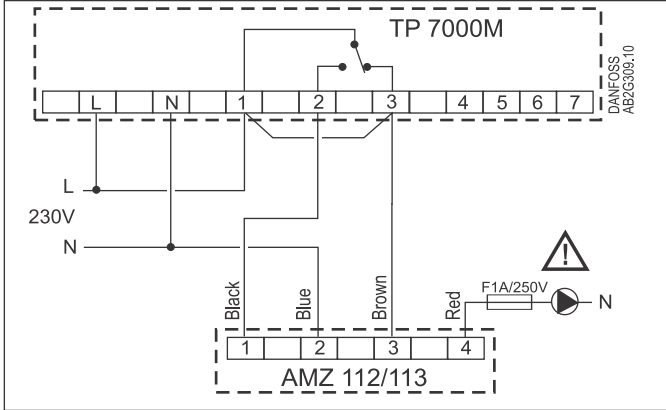
Programmable Room Thermostat TP5000 + AMZ 112/113



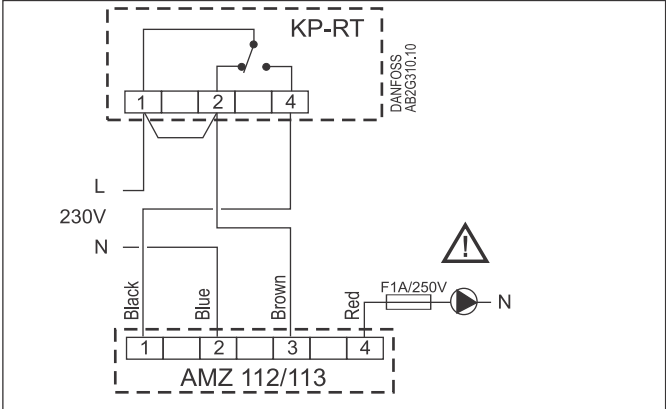
Programmable Room Thermostat TP7000 + AMZ 112/113



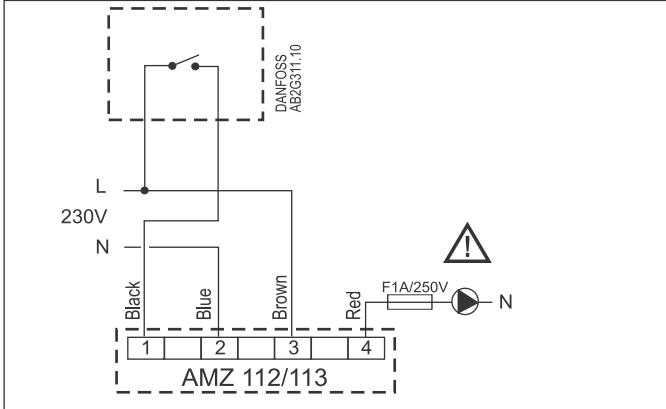
Programmable Room Thermostat TP7000M + AMZ 112/113



Thermostat KP-RT with a switch contact + AMZ 112/113



Switch contact + AMZ 112/113



WARNING!
By controlling electronic pump (energy saving, pressure controlled) **use relay** because of generating high current peaks!

AMZ 112 / 113 SPST switch

1 Black (L) OPEN / PORT A

2 Blue (N)

3 Brown (L) CLOSE / PORT B

4 Red (L) F1A/250V

Out signal OPEN (AMZ112)
A+B (AMZ113)

RELAY 230VAC