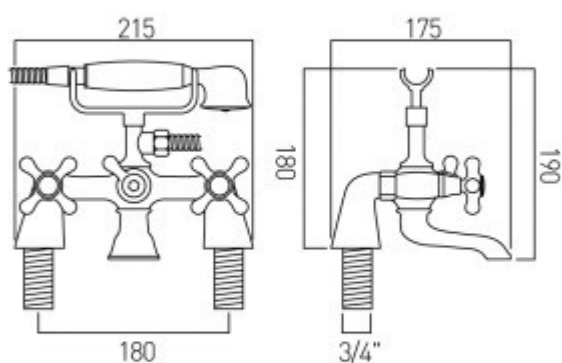




**Technical sheet:**  
chrome: VIC-131/S/CD-C/P  
antique gold: VIC-131/S/CD-A/G



technical drawing



**description:**

bath shower mixer  
pillar mounted  
with shower kit  
cold ceramic cartridge AST-VALVE/CD/CL-1/2  
hot ceramic cartridge AST-VALVE/CD/HT-1/2  
3/4" x 50mm threaded connections (on legs)  
deck mount drill hole diameter 27mm  
chrome or antique gold

**finishes:**

chrome  
antique gold

**minimum operating pressure:** 0.2 bar LP

**Eco** flow regulator: FR-SHOWER/9-C/P

**guarantee:**

chrome: 12 year guarantee  
antique gold: 12 year guarantee

VADO wedmore road cheddar somerset england bs27 3eb

tel 01934 744466 fax 01934 744345 sales@vado-uk.com www.vado-uk.com