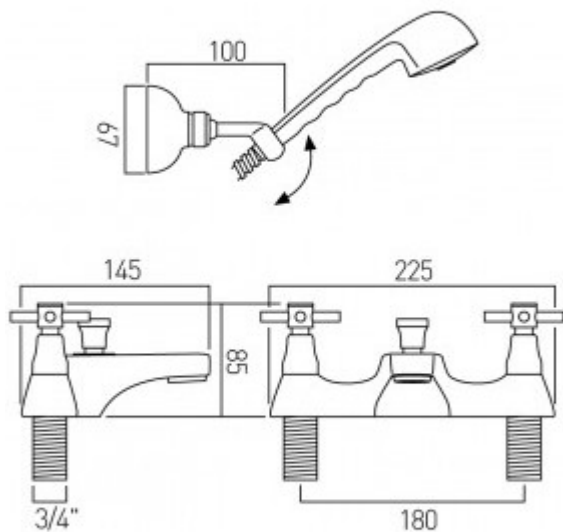




technical drawing



**description:**

2 hole bath shower mixer  
deck mounted  
with shower kit  
with water flow straightener  
cold ceramic cartridge AST-VALVE/CD/CL-1/2  
hot ceramic cartridge AST-VALVE/CD/HT-1/2  
3/4" x 50mm threaded tail connections  
deck mount drill hole diameter 27mm

**finishes:**

chrome

**minimum operating pressure:** 0.5 bar LP

**ECO flow regulator:** FR-SHOWER/9-C/P

**guarantee:**

12 year guarantee

VADO wedmore road cheddar somerset england bs27 3eb

tel 01934 744466 fax 01934 744345 sales@vado-uk.com www.vado-uk.com