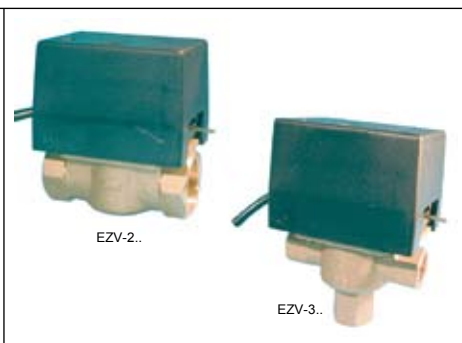


**MOTORISED SPRING RETURN VALVES  
2 & 3 PORT**

**EZV..**

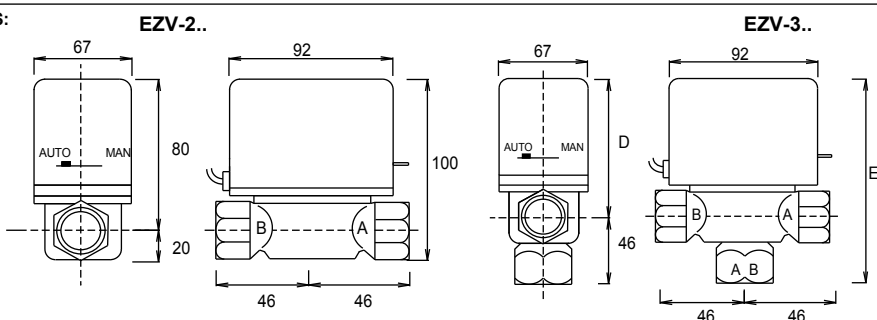
2 & 3 port spring return valves for zoning & diverting in closed circuit hot water, chilled water & up to 30% glycol systems.  
Supplied complete with motors.



ORDER AUXILIARY SWITCH SEPARATELY  
Media temp. 4°C to 110°C  
Max. pressure 10 Bar  
Consumption 5W  
Max ambient 60°C  
Materials: brass body, rubber ball/plug for 100% shut off.  
Wiring cable 0.5m  
Auto/Manual lever  
Replaceable motor

Type	Connection	Max Diff Press Bar	Kvs m³/h	Supply ±10%	Motor Open	Spring Close	Application	Enclosure
<b>EZV-211</b>	½" BSP	0.90	6.0	230VAC	10s	4s	Zone	IP20
<b>EZV-212</b>	15mm comp.	0.90	6.0	230VAC	10s	4s	Zone	IP20
<b>EZV-213</b>	¾" BSP	0.90	7.0	230VAC	10s	4s	Zone	IP20
<b>EZV-214</b>	22mm comp.	0.90	7.0	230VAC	10s	4s	Zone	IP20
<b>EZV-215</b>	1" BSP	0.90	9.0	230VAC	10s	4s	Zone	IP20
<b>EZV-216</b>	28mm comp.	0.90	9.0	230VAC	10s	4s	Zone	IP20
<b>EZV-311</b>	½" BSP	1.54	6.6	230VAC	20s	6s	Diverting	IP20
<b>EZV-312</b>	15mm comp.	1.54	6.6	230VAC	20s	6s	Diverting	IP20
<b>EZV-313</b>	¾" BSP	1.54	7.8	230VAC	20s	6s	Diverting	IP20
<b>EZV-314</b>	22mm comp.	1.54	7.8	230VAC	20s	6s	Diverting	IP20
<b>EZV-315</b>	1" BSP	0.62	12.6	230VAC	20s	6s	Diverting	IP20
<b>EZV-316</b>	28mm comp.	0.62	12.6	230VAC	20s	6s	Diverting	IP20
<b>EZV-M1</b>	Auxiliary switch for EZV..			230VAC 3(1)A SPST	The volt free contact closes when the valve is fully open			

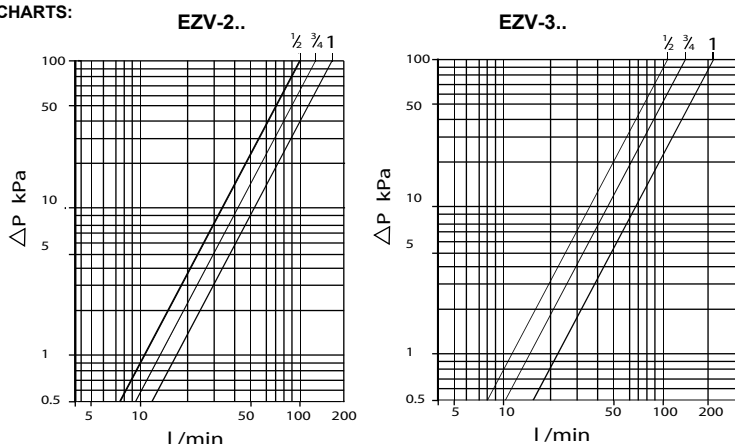
**DIMENSIONS:**



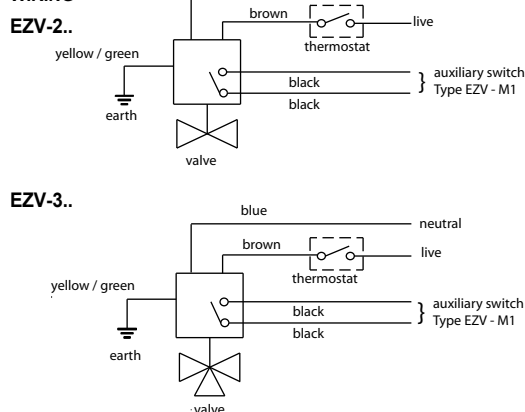
Install the valve with the motor at any angle vertical to 30° above the horizontal plane.

Type	D	E
EZV-311,312,313,314	79	125
EZV-315,316	84	130

**FLOW CHARTS:**



**WIRING**



**EXAMPLES:**

