

urinals

urinals and fittings



*Armitage
Shanks*
*Ideal
Standard*

selection

urinals

urinals

	Page	Applications	Material	Type	Exposed or concealed cistern			Available with Sensorflow	Colours		
					Waste	Waste	Waste		White	Chablis	Honey Moon
Aridian Waterless											
– Concealed	11:1:2		Vitreous china	Bowl	None	41mm OD	No	●			
Aridian Waterless											
– Exposed	11:1:1		Vitreous china	Bowl	None	41mm OD	No	●			
Contour	11:1:3		Vitreous china	Bowl	Concealed	1 1/4in or 1 1/2in	Yes	●			
Deveron	11:1:5		Stainless steel	Slab	Either	2in	No	Polished			
Kinloch	11:1:6		Stainless steel	Trough	Either	2in	No	Polished			
Kinloch Waterless	11:1:7		Stainless steel	Trough	None	41mm OD	No	Polished			
Nairn	11:1:10		Fireclay	Slab	Either	2 1/2in	No	●			
Sanura 50cm	11:1:4		Vitreous china	Bowl	Either	1 1/4in or 1 1/2in	Yes	●	●	●	
Sanura 40cm	11:1:4		Vitreous china	Bowl	Either	1 1/4in or 1 1/2in	Yes	●			
Tay	11:1:8		Stainless steel	Bowl	Either	1 1/2in	Yes	Polished			
Unisteel	11:1:9		Stainless steel	Slab	Either	2 1/2in	No	Polished			

urinals

aridian waterless

Vitreous china waterless bowl urinal with exposed outlet and special cartridge.

Saves water, can reduce maintenance costs, is easy to install and requires no cistern or flushpipe.

- Exposed outlet
- Water saving (236,000 litres pa*)
- Cost saving
- Hygienic
- WRAS approved

urinals



Illustrated

S6190 (26212WS)
Aridian vitreous china waterless bowl urinal, exposed outlet
renewable cartridge with outlet adapter and fixing hangers
S6120 (2606000)
vitreous china division with hanger and screw

Material

Vitreous china

Weight

Urinal 10.0kg
Division 8.0kg

Colours

Available in White only

Standards

Vitreous china to BS 3402.
WRAS approval

Associated products

S6282 (7928100)
Replacement cartridge
S6283 (7928132)
Replacement cartridges in boxes of 32

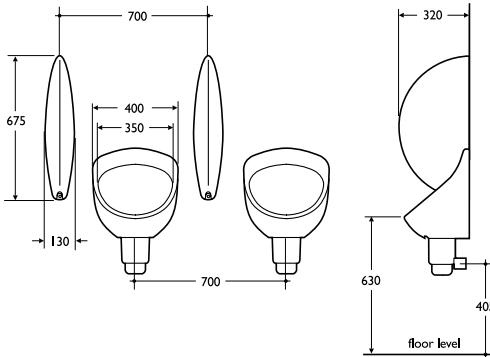
Special notes

Outlet plain 41mm OD tube to push connect to polypropylene wastepipe to BS 5254.

Cartridges last for approximately 7,000 uses.

Installers must ensure that urinals are connected to wastepipe systems which are adequately vented.

* Estimated saving per bowl, per year based on conventional urinal flushing of 4.5 litres, 6 times per hour, 24 hours per day, 365 days per year



S6282



Armitage Shanks

Product information
Tel: 0870 122 8822 Fax: 0870 122 8282
eMail: info@thebluebook.co.uk
www.thebluebook.co.uk



CI/SIB (74) May 2002
Uniclass L721

Ideal Standard

urinals

aridian waterless

Vitreous china waterless bowl urinal with concealed outlet and special cartridge.

Saves water, can reduce maintenance costs, is easy to install and requires no cistern or flushpipe.

- Concealed outlet
- Anti vandal concealed fixing
- Water saving (236,000 litres pa*)
- Cost saving
- WRAS approved

urinals



Illustrated

S6195 (26202WS)
Aridian vitreous china waterless bowl urinal, concealed outlet renewable cartridge with outlet adapter, fixing hangers and toggle bolts
S6120 (2606000)
vitreous china division with hanger and screw

Material

Vitreous china

Weight

Urinal 14.0kg
Division 8.0kg

Colours

Available in White only

Standards

Vitreous china to BS 3402.
WRAS approval

Associated products

S6282 (7928100)
Replacement cartridge
S6283 (7928132)
Replacement cartridges in boxes of 32

Special notes

Outlet plain 41mm OD tube to push connect to polypropylene wastepipe to BS 5254.

Cartridges last for approximately 7,000 uses.

Minimum recommended duct depth 10cm.

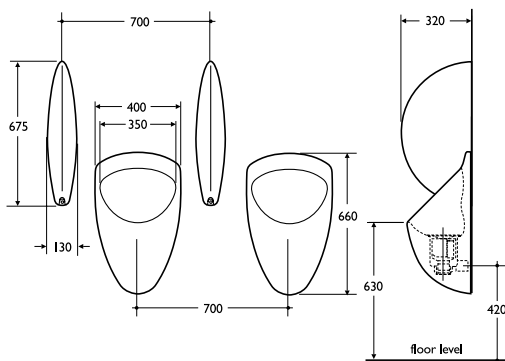
When fitting on panel the bottom access panel should be a maximum of 20cm in height.

Installers must ensure that urinals are connected to wastepipe systems which are adequately vented.

* Estimated saving per bowl, per year based on conventional urinal flushing of 4.5 litres, 6 times per hour, 24 hours per day, 365 days per year



S6282



Armitage Shanks

Product information
Tel: 0870 122 8822 Fax: 0870 122 8282
eMail: info@thebluebook.co.uk
www.thebluebook.co.uk

11:1:2

CI/SIB (74) May 2002
Uniclass L721

Isogl Standard

urinals contour

Wall urinals and divisions in vitreous china specially designed for ducted services with all service connections completely concealed.

Particularly appropriate for anti vandal installations.

- Completely concealed connections
- Anti vandal applications
- Designed for ducted services
- Easy clean design

urinals



Illustrated

S6110 (261229E)
Contour urinal, 67cm
S6286 (743449Z) back inlet spreader
S8850 (90568N0) 1 1/2in plastic domed waste
S8970 (71428Q4) 1 1/2in plastic P trap with 75mm seal
S6120 (2606000) vitreous china division with screw and hanger
S9276 (7221000) toggle bolts to suit maximum 25mm panel thickness
S9275 (7220000) concealed steel hangers

Material

Vitreous china

Weight

Urinal 14.0kg
Division 8.0kg

Colours

Available in White only

Standards

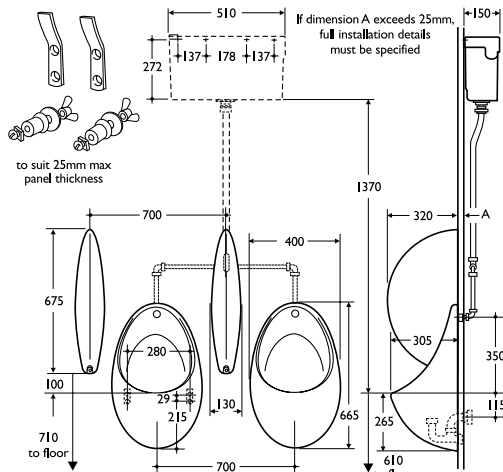
Vitreous china to BS 3402

Options

S8811 (90297N0) 1 1/4in plastic strainer waste
S8965 (71427Q4) 1 1/4in plastic P trap with 75mm seal

Special notes

See page 11:1:13 for flushpipes



Urinals for junior use should be set at 510mm from floor to lip of bowl



Armitage
Shanks

Product information
Tel: 0870 122 8822 Fax: 0870 122 8282
eMail: info@thebluebook.co.uk
www.thebluebook.co.uk

11:1:3

CI/SIB

May 2002

(74)

Uniclass L721

Ideal
Standard

urinals

sanura

Wall urinal in vitreous china for exposed or concealed plumbing.

Available in 2 sizes and so particularly suitable for combined adult and junior installations.

urinals

- Wall urinal
- Vitreous china
- Two sizes



Illustrated

- S6100 (261129E) Sanura 50cm wall urinal
- S6285 (74344A1) top inlet spreader
- S9275 (7220000) concealed steel hangers
- S8850 (90568N0) 1 1/2in plastic domed waste
- S8915 (70238Q4) 1 1/2in plastic bottle trap with 75mm seal
- S6120 (2606000) division with hanger and screw

Standards

Vitreous china to BS 3402

Options

- S6105 (261119E) Sanura 40cm wall urinal
- S6286 (743449Z) back inlet spreader
- S8811 (90297N0) 1 1/4in plastic strainer waste
- S8910 (70237Q4) 1 1/4in plastic bottle trap with 75mm seal

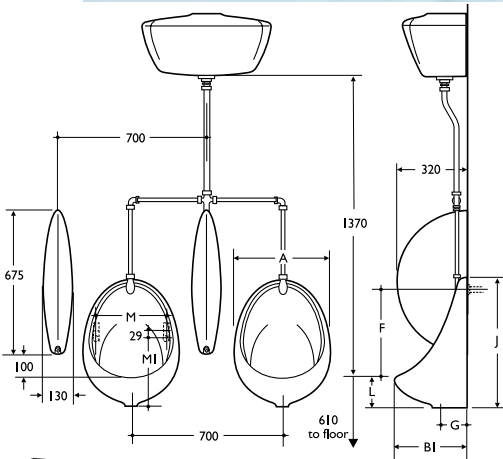
Special notes

See page 11:1:13 for flushpipes

Material
Vitreous china

Weight
50cm 10.0kg
40cm 6.0kg
Division 8.0kg

Colours
40cm available in White only;
50cm available in White, Chablis or Honey Moon.
Representations of colours available appear in Section 3, Colours



	A	BI	F	G	J	L	M	MI
500mm size	390	305	350	120	500	100	280	205
400mm size	300	250	265	100	400	85	205	170

Urinals for junior use should be set at 510mm from floor to lip of bowl



Armitage
Shanks

Product information
Tel: 0870 122 8822 Fax: 0870 122 8282
eMail: info@thebluebook.co.uk
www.thebluebook.co.uk

11:1:4

CI/SIB May 2002
(74) Uniclass L721

Ideal
Standard

urinals

deveron

Floor standing single piece slab urinal in stainless steel with raised integral channel and hinged access panel for above floor waste plumbing.

Available with wall ends or free ends or a combination of the two and with exposed or concealed flushpipes.

Two or more urinals may be fitted together on the same wall using stainless steel cover strips.

- *Stainless steel*
- *Exposed or concealed flushpipes*
- *Above floor drainage*

urinals



Illustrated

S6140 (55101SP)
Deveron urinal with back inlet spreaders or exposed sparge pipes with downpipe and divisions as required, up to 120cm long with 2in BSP domed strainer waste

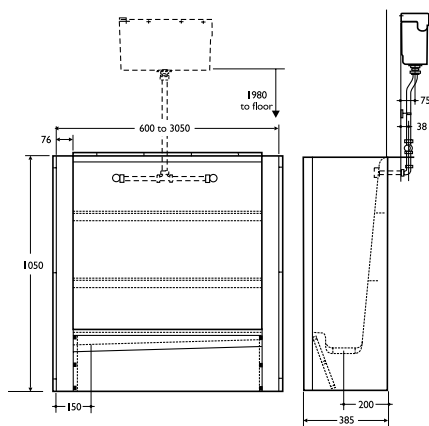
Material
Stainless steel

Weight
120cm 35.0kg
180cm 45.0kg
240cm 55.0kg
305cm 65.0kg

Standards
Stainless steel conforms to BS 1449: part 2: 1983
Urinals to BS 4880: 1973

Special notes

When ordering, state overall length of urinal, whether ends for wall fixing or free standing and proposed outlet position(s). Specify if earthing tag required. Urinals on 2 or more walls are not available as a 1 piece construction and are joined using stainless steel corner plinths.



Channel outlet positions
Up to 600mm - outlet central
601 to 3050mm - outlet at either end

Options

- S6141 (55102SP)
Deveron urinal up to 180cm long
- S6143 (55103SP)
Deveron urinal up to 240cm long
- S6144 (55104SP)
Deveron urinal up to 305cm long
- S6135 (5535100)
corner plinth
- S6134 (5536100)
cover strip to join urinals



Armitage Shanks

Product information
Tel: 0870 122 8822 Fax: 0870 122 8282
eMail: info@thebluebook.co.uk
www.thebluebook.co.uk

11:1:5

CI/SIB | May 2002
(74) | Uniclass L721

Ideal Standard

urinals
Kinloch

This economically priced trough urinal in stainless steel is available in 4 standard sizes, 120cm, 180cm, 240cm and 305cm.

Bespoke specifications can be made to customer requirements from 60cm to 305cm.

- *Stainless steel*
- *Four sizes*
- *Bespoke sizes available*
- *Cost effective*



Illustrated

S6166 (55081RE)
Kinloch urinal 120cm long complete with domed strainer waste, concealed pipework, and plastic automatic cistern. Right hand outlet

Material

Stainless steel

Weight

120cm 24.0kg
180cm 31.0kg
240cm 40.5kg
305cm 47.0kg

Standards

Made from 18 gauge sheet conforming to BS 1449, part 2, 1983

Options

Exposed pipework

S6155 (55081RF)
120cm, RH outlet
S6156 (55081LF)
120cm, LH outlet
S6157 (55082RF)
180cm, RH outlet
S6158 (55082LF)
180cm, LH outlet
S6159 (55083RF)
240cm, RH outlet
S6163 (55083LF)
240cm, LH outlet
S6164 (55084RF)
305cm, RH outlet
S6165 (55084LF)
305cm, LH outlet

Concealed pipework

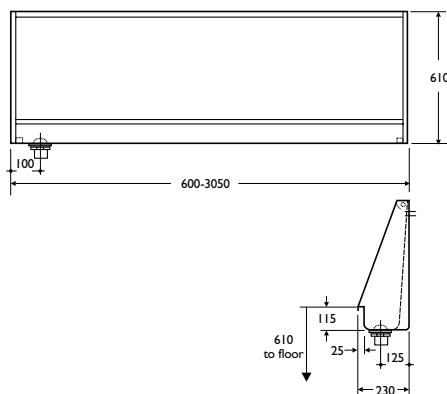
S6167 (55081LE)
120cm, LH outlet
S6168 (55082RE)
180cm, RH outlet
S6169 (55082LE)
180cm, LH outlet
S6170 (55083RE)
240cm, RH outlet
S6173 (55083LE)
240cm, LH outlet
S6174 (55084RE)
305cm, RH outlet
S6175 (55084LE)
305cm, LH outlet

Bespoke orders

S6150 (55081SP)
up to 120cm;
S6151 (55082SP)
up to 180cm;
S6152 (55083SP)
up to 240cm;
S6153 (55084SP)
up to 305cm
Specify outlet position and exposed or concealed pipework

Special notes

Urinals on 2 or more walls can be joined using **S6176 (5540100)** stainless steel corner plinth



urinals

Kinloch waterless

Stainless steel waterless trough urinal with exposed outlet and special cartridge.

Bespoke specifications can be made to customer requirements from 60cm to 305cm.

- Water saving
- Cost saving
- Hygienic
- Exposed outlet

urinals



Illustrated

S6147 (55111WS)
Kinloch stainless steel waterless trough urinal complete with centre outlet adapter, renewable cartridge and fixing brackets, 120cm long

Material

Stainless steel

Weight

120cm 24.0kg
180cm 31.0kg
240cm 40.5kg

Standards

18 gauge sheet conforming to BS 1449: Part 2: 1983

Options

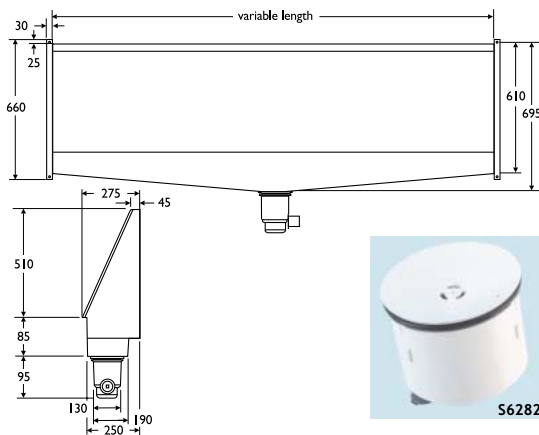
S6148 (55112WS)
180cm length
S6149 (55113WS)
240cm length
Bespoke orders
S6137 (55111SP)
up to 120cm
S6138 (55112SP)
up to 180cm
S6139 (55113SP)
up to 240cm
S6178 (5545000)
stainless steel shroud for outlet

Associated products

S6282 (7928100)
Replacement cartridge
S6283 (7928132)
Replacement cartridges in boxes of 32

Special notes

Outlet plain 41mm to pushfit to polypropylene wastepipe to BS 5254
Urinals are available with 50mm O.D. outlet spigots, please specify.
Installers must ensure that urinals are connected to wastepipe systems which are adequately vented
Urinals on 2 or more walls can be joined using S6176 (5540100) stainless steel corner plinth



Armitage
Shanks

Product information
Tel: 0870 122 8822 Fax: 0870 122 8282
eMail: info@thebluebook.co.uk
www.thebluebook.co.uk

11:1:7

CI/SIB
(74)
May 2002
Uniclass L721

Ideal
Standard

urinals
tay

Wall urinal in polished stainless steel, suitable for exposed or concealed plumbing.

urinals

- Wall urinal
- Stainless steel
- Anti vandal applications



Illustrated

S6146 (550609E) Tay wall urinal 38cm, back inlet with spreader and screw to wall fixing
S8850 (90568N0) 1 1/2in plastic domed waste
S8915 (70238Q4) 1 1/2in plastic bottle trap with 75mm seal and multi-purpose outlet

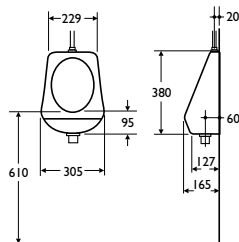
Material
Stainless steel

Weight
Urinal 9.0kg

Standards
Stainless steel sheet conforms to BS 1449: Part 2: 1983

Options
S6145 (550609F) Tay urinal with top inlet
S8770 (71228V2) 1 1/2in brass strainer waste with stainless steel dome

Special notes
Specify if earthing tag is required



urinals
unisteel

Sealed one piece construction with integral channel, for easier, drip free installations. Lightweight, suitable for use in multi-storey buildings. Vandal resistant, cannot crack or burn.

Available with wall ends for recess, two free ends or a combination of the two, with or without divisions.

Up to 420cm maximum length in one piece and two or more urinals may be fitted together on the same wall using stainless steel cover strips.

- Slab urinal in stainless steel
- Anti vandal applications
- Up to 420cm lengths
- Exposed or concealed flushpipes
- One piece construction

urinals



Illustrated

S6125 (55001SP)
Unisteel slab urinal with free ends, back inlet spreaders or exposed sparge pipes with downpipe and divisions as required up to 120cm long with domed strainer waste

Material
Stainless steel

Weight
120cm 30.0kg
180cm 40.0kg
240cm 50.0kg
305cm 65.0kg
420cm 90.0kg

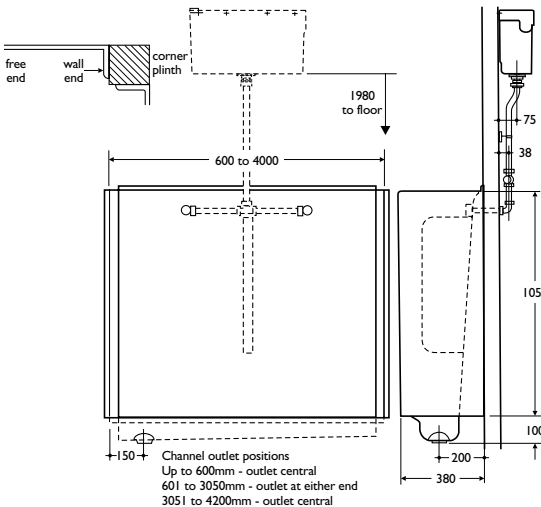
Standards
Stainless steel conforms to BS 1449: Part 2: 1983; urinal to BS 4880: 1973

Options

S6126 (55002SP)
up to 180cm
S6127 (55003SP)
up to 240cm
S6128 (55004SP)
up to 305cm
S6129 (55005SP)
up to 420cm
S6135 (5535100)
corner plinth
S6134 (5536100)
cover strip to join separate urinals

Special notes

State proposed outlet position(s) and whether ends for wall fixing or free standing. Specify if earthing tag required.
Urinals on two or more walls are not available as a one piece construction and are joined using stainless steel corner plinths



urinals
nairn

Traditional fireclay slab urinal designed to suit varying site requirements including fitting to 2 or more adjacent walls.

Available with exposed or concealed flushpipes, with or without divisions.

urinals

- Slab urinal in fireclay
- Traditional style
- Optional divisions



Illustrated

S6180 (3605200)
Nairn slab urinal for exposed sparge pipes with graded channel and domed strainer waste
S6188 (3606200) right or left hand return end
S6260 (36132B4) Vitred fluted treads
S6280 (7691000)
Imperva waterproof jointing compound

Material

Fireclay

Weight

61cm slab 56.0kg
Return end 26.0kg
Division 12.7kg

Colours

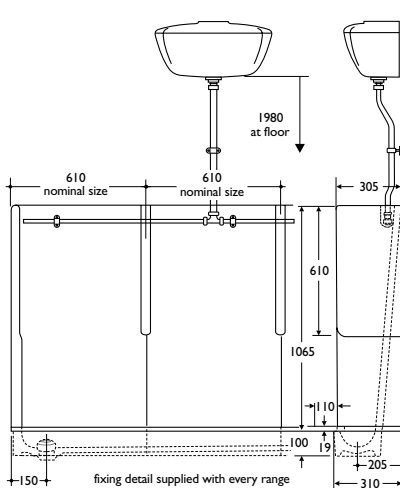
Available in White only.
Treads in black only

Options

S6181 (360529E)
Nairn back slab for back inlet spreaders
S6186 (3607000)
slotted division for sparge pipes
S6185 (36070B2)
plain division for back inlet spreaders

Special notes

Graded channels and strainer waste inclusive. When ordering, state overall length of urinal range and give full information with proposed outlet position(s), glazing of return ends and detailed sketch



Urinals

auto cisterns

Mura vitreous china auto cisterns are designed in one piece with integral cover for easy cleaning and hygiene. Optional lid for access hole if required.

- *Urinal cisterns*
- *Vitreous china*
- *Optional access hole lid*

Urinals



Illustrated

S6202 (17543WE) Mura
13.6 litre auto cistern
with auto syphon,
petcock and supports

Material

Vitreous china

Weight

4.5 litre 9.0kg
9.0 litre 11.0kg
13.6 litre 14.0kg

Colours

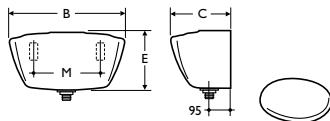
Available in White,
Chablis or Honey Moon.
Representations of
colours available appear
in Section 3, Colours

Standards

Vitreous china to
BS 3402
Cisterns to BS 1876

Options

S6200 (17541WE)
4.5 litre
S6201 (17542WE)
9.0 litre
S6204 (C01EM01)
access lid



	B	C	E	M
4.5 litres	315	235	255	105
9.0 litres	460	265	265	200
13.6 litres	550	265	280	315

urinals

auto cisterns

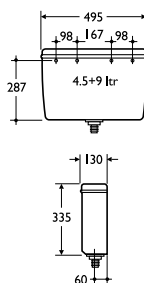
Urinal cisterns in plastic.

Regal is a slim line cistern for exposed installations.

Conceala is suitable for fixing on front or back wall of duct.

urinals

- Plastic urinal cisterns
- Regal slim line
- Conceala duct fixed
- Three capacities



- Slim auto cistern
- Three capacities

Illustrated

S6211 (4233200)

Regal 9.0 litre auto cistern & cover, auto syphon and petcock

Material

Plastic

Weight

4.5 litre 4.0kg
9.0 litre 4.0kg
13.6 litre 4.5kg

Colours

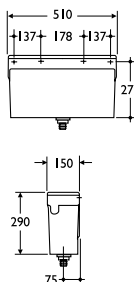
Available in White only

Standards

Cisterns to BS 1876

Options

S6210 (4233100)
4.5 litre
S6212 (4241300)
13.6 litre



- Concealed auto cistern
- For duct fixing

Illustrated

S6216 (4225200)

Conceala 9.0 litre auto cistern & cover, auto syphon and petcock

Material

Plastic

Weight

4.5 litre 4.0kg
9.0 litre 4.0kg
13.6 litre 4.0kg

Colours

Self-colour only

Standards

Cisterns to BS 1876

Options

S6215 (4225100)
4.5 litre
S6217 (4225300)
13.6 litre

urinals

flushpipes

Stainless steel flushpipes for bowl or slab urinals.

Available for surface or duct mounted cisterns.

- Exposed or concealed
- Stainless steel
- Suitable for up to 700mm centres
- Suitable for combined height bowls

urinals



Bowl urinals	Auto Cistern	1 Person	2 Persons	3 Persons	4 Persons	5 Persons
Exposed flushpipes for bowls with top inlet spreaders	Mura/13.6 Plastic	S6220MY (74450A1PO)	S6221MY (74450B1PO)	S6222MY (74450C1PO)	S6223MY (74450D1PO)	S6224MY (74450E1PO)
	Regal (74420A1PO)	S6232MY (74420B1PO)	S6233MY (74420C1PO)	S6234MY	—	—
Concealed flushpipes for bowls with back inlet spreaders	Conceala	S6226NU (74460A1SC)	S6227NU (74460B1SC)	S6228NU (74460C1SC)	S6229NU (74460D1SC)	S6230NU (74460E1SC)

Nairn slab urinals	Auto Cistern	to 600mm slab length	to 1200mm slab length	to 1800mm slab length	to 2400mm slab length	to 3000mm slab length
Exposed flushpipes and sparge pipes for slab	Mura/13.6 Plastic	S6236MY (74110Y8PO)	S6237MY (74110Y9PO)	S6238MY (74110C1PO)	S6239MY (74110D1PO)	S6240MY (74110E1PO)
	Regal	S6242MY (74490A1PO)	S6243MY (74490B1PO)	S6244MY (74490C1PO)	—	—
Concealed flushpipes and back inlet spreaders for slab	Conceala	S625067 (7400A9Z5C)	S625367 (7400B9Z5C)	S625467 (7400C9Z5C)	S625567 (7400D9Z5C)	S625667 (7400E9Z5C)

Note: Stainless steel Unisteel, Kinloch and Deveron urinals are coded complete with flushpipes – no extra specification is necessary.

urinals

treads • risers • wastes

Vitred treads are available plain or fluted and are extremely hard wearing. They are also completely impervious with a slip resistant matt surface.

Fireclay risers provide the finishing touch for raised urinal approaches.

- Vitred treads
- Plain or fluted
- Fireclay risers
- Urinal wastes
- Imperva jointing compound



- Vitred treads
- Plain or fluted

Illustrated

S6260 (36132B4 SC)
Vitred fluted tread
15cm x 15cm x 2cm

Weight

Tread 1.0 kg per 15cm

Colours

Available in Black

Options

S6261 (3613200 SC)
Vitred plain tread,
15cm x 15cm x 2cm



- Fireclay risers
- 5cm high

Illustrated

S6275 (3612000 WW)
front, 61cm x
13cm x 5cm
S6276 (36120H3 WW)
left hand end, 31cm x
13cm x 5cm

Material

Fireclay

Weight

Front riser 12.70kg
per 61cm
End riser 6.35kg per
31cm

Colours

Available in White

Options

S6277 (36120H4 WW)
right hand end,
31cm x 13cm x 5cm



S8811



S8850



S8915



S8770

Illustrated

S881101 (90297N0WW)
1 1/2in plastic strainer
waste, 50mm unslotted
tail; **S885067**
(90568N0SC) 1 1/2in
plastic domed strainer
waste, 45mm unslotted
tail; **S8770MY**
(71228V2PO) 1 1/2in brass
strainer waste with

- Wastes

- Plastic bottle traps

stainless steel dome,
45mm unslotted tail;
S8756AA (7009B00CP)
chrome plated, strainer
waste with hinged dome

Traps

Plastic bottle trap
with 75mm seal and
multi-purpose outlet
suitable for plastic and
BS copper pipe

S891067 (70237Q4SC)
1 1/4in;
S891567 (70238Q4SC)
1 1/2in

Imperva

S628067 (7691000SC)
Imperva waterproof
jointing compound, 1kg
is sufficient for 2.4m
of slab urinal

- Imperva

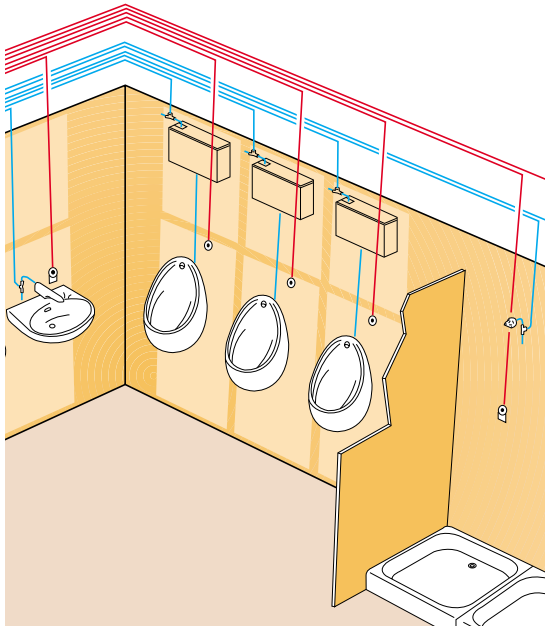
urinals

sensorflow

Sensorflow electronic flushing control system manages economic delivery of water to urinals. Infrared sensors detect usage and initiate flushing.

- Water saving
- Economic
- Safe 12 volt supply
- Manages up to 10 urinals

urinals



Illustrated

S8116 (7889002)
Surface mounted urinal sensor, complete with solenoid, combined servicing valve and filter, float switch with cable.

S8115 (7888002) Panel mounted urinal sensor complete with solenoid servicing valve and filter, float switch with cable.

S6215 (4225100) Conceala plastic automatic cistern 4.5 litre.

S6200 (17541WE) Mura vitreous china automatic cistern 4.5 litre. (For exposed applications).

S8100 (7963002) Programmable control unit, heavy duty, to operate up to 10 sensors.

Note: Float switch not used for exposed applications.

How does the system work?

The sensor positioned above the urinal detects usage. There is then the option of choosing the type and frequency of the flush. The frequency of the flush can be following every visit or every 30 minutes (assuming the urinal has been used, i.e. sensor activated for a minimum of 6 seconds). Method of flush can be via a conventional automatic cistern, storage cistern or mains supply. Flushing using an automatic cistern dispenses 4.5 litres every flush. When flushing from storage or mains a timed flow of water is selected. Note: The product can be installed in full compliance with UK Water Regulations



urinals

sensorflow solo

An electronic water control system for use with a single outlet. Chrome plated and supplied complete with all necessary components

urinals

- Water saving
- Cost saving
- Hygienic
- Easy clean
- Energy saving



Illustrated

S8147AA Sensorflow Solo urinal control for panel mounting with integral proximity sensor

Options

S8146AA Sensorflow Solo urinal control for surface mounting with integral proximity sensor

Special notes

All controls supplied complete with individual solenoid valve, flexible inlet tail and combined servicing valve. Solenoid valves are designed to operate direct from mains or stored supplies and a minimum water head of 2 metres must be available at the solenoid valve.

A pipe interrupter may be required if operating direct from mains

Modes of operation

Sensors detect users who have been in the sensing range for at least ten seconds. This to prevent 'walk by' activation. The solenoid valve is then opened for ten seconds. If no valid user signal is detected during a 24 hour period, a ten second 'hygiene' flush occurs.



Armitage
Shanks

Product information
Tel: 0870 122 8822 Fax: 0870 122 8282
eMail: info@thebluebook.co.uk
www.thebluebook.co.uk

11:1:16

CI/SIB (74) May 2002
Uniclass L721

Ideal
Standard