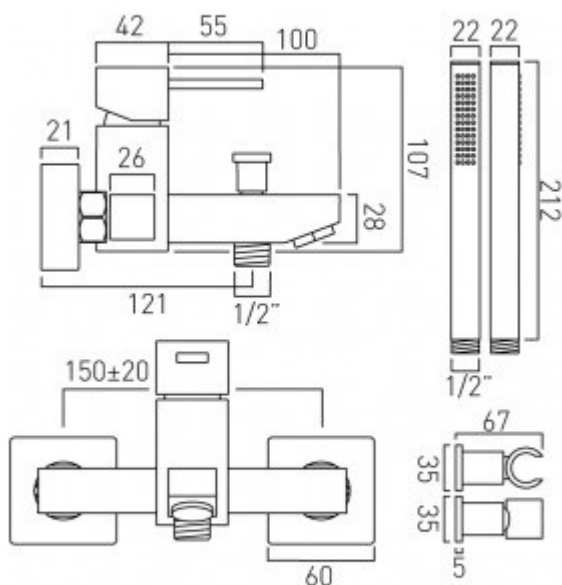




technical drawing



**description:**

exposed bath shower mixer  
single lever  
wall mounted  
with shower kit  
with water flow straightener  
with water flow aerator  
ceramic cartridge CAR-K40B  
1/2" x 3/4" x 45mm eccentrics connections

**finishes:**

chrome

**minimum operating pressure:** 1.5 bar MP

**ECO flow regulator:** FR-SHOWER/9-C/P

**guarantee:**

12 year guarantee

VADO wedmore road cheddar somerset england bs27 3eb

tel 01934 744466 fax 01934 744345 sales@vado-uk.com www.vado-uk.com