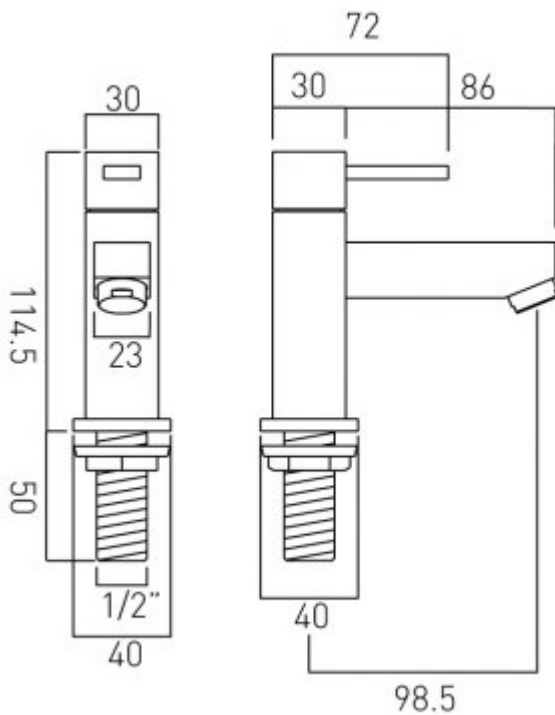




technical drawing



**description:**

basin pillar taps  
deck mounted  
with water flow aerator  
cold ceramic cartridge TE-106/VALVE/CD/CL-1/2  
hot ceramic cartridge TE-106/VALVE/CD/HT-1/2  
1/2" x 50mm threaded tail connections  
deck mount drill hole diameter 22mm

**finishes:**

chrome

**minimum operating pressure:** 0.2 bar LP

**Eco** flow regulator: FR-106/4-PLA

**guarantee:**

12 year guarantee

VADO wedmore road cheddar somerset england bs27 3eb

tel 01934 744466 fax 01934 744345 sales@vado-uk.com www.vado-uk.com