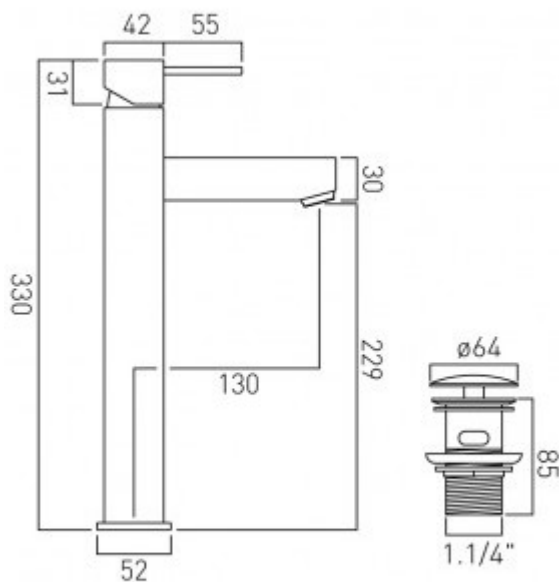




## Technical sheet: TE-100E/CC-C/P



### technical drawing



### description:

extended mono basin mixer  
single lever  
deck mounted  
smooth bodied  
with clic-clac waste  
with water flow aerator  
ceramic cartridge CAR-K35A  
2 x 1/2" x 40mm flexipipe connections  
deck mount drill hole diameter 32mm

### finishes:

chrome

minimum operating pressure: 0.2 bar LP

**Eco** flow regulator: FR-100/5-PLA

### guarantee:

12 year guarantee

VADO wedmore road cheddar somerset england bs27 3eb

tel 01934 744466 fax 01934 744345 sales@vado-uk.com www.vado-uk.com