

INSTALLATION INSTRUCTIONS

The type.SA.'clamp-on' thermostat is suitable for mounting on to hot water cylinders or flat surfaces. It can be used to control pumps, boilers and motorised valves.

Scale Range : 40 - 90°C

Switch Rating: 5(1)A 24-240v AC 50/60Hz S.P.D.T.

The thermostat is designed to conform to British Standard requirements.

Maximum ambient temperature. T52°C

Maximum surface temperature. Ts98°C.

Positioning the 'Clamp-on' thermostat

The 'Clamp-on' thermostat should be installed approximately one third of the way up the hot water cylinder and at the front for ease of access. With pre-insulated cylinders mark the position and outline and remove just enough insulation to allow the 'clamp-on' thermostat to fit against the metal of the cylinder where the insulation has been removed.

Cut the fixing wire to the required length (if necessary) and fit hooks provided. Fix wire around tank and clamp thermostat to surface by inserting wire to groove on the thermostat cover.

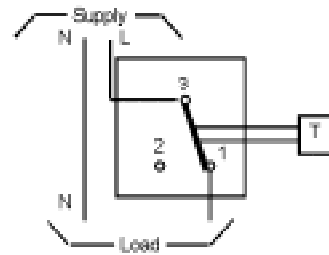
Machining of the cylinder or draining of the system is not necessary when fitting this control.

Class 'A' disconnection must be incorporated in the fixed wiring.

Interference with sealed parts renders the guarantee void.

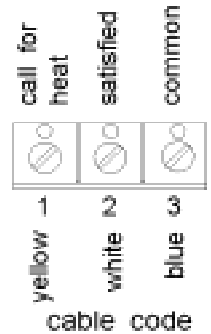
Wiring must be in accordance with I.E.E. regulations, and the control fitted by a competent electrician.

This product complies with the essential requirements of the following EC directives:
EMC 89/336/EEC (as amended by 91/263/EEC and 92/31/EEC)
Low voltage directive:
LVD 73/23/EEC; 93/68/EEC



Terminals 3 and 2 make on temperature rise.

Terminals 3 and 1 make on temperature fall

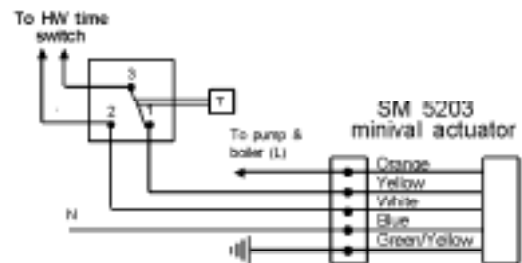


Disengage screw on top of cover sufficiently to allow removal of cover from base.

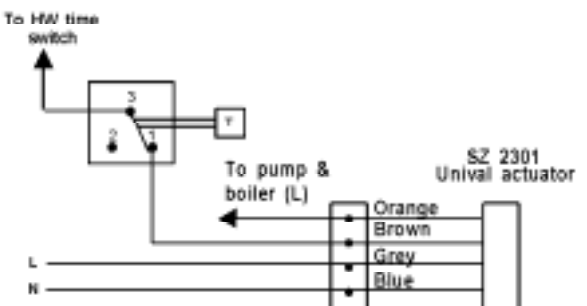
Fit cable to connecting block, ensuring correct connections are made. Remove cable clamp two screws from plastic bag and assemble to thermostat housing to secure cable.

Re-fit cover and tighten screw.

SETTING: To set, turn the knob until the pointer aligns with the required temperature on the scaleplate.



Wiring for minimal - motor open/close



Wiring for unival - motor open/spring close

SUNVIC CONTROLS LTD
BELLSHILL ROAD, UDDINGSTON,
GLASGOW G71 6NP

TELEPHONE: 01698 812944
FAX: 01698 813637
TECHNICAL HELPLINE: 01689 810945

In line with a policy of continuous product development, Sunvic Controls Ltd. Reserve the right to change the specification, design and materials of products without prior notice.

Installation leaflet LE/0207/0004 Issue 1 March 1999