

sola medical 500

no overflow, no chainstay
deeper side walls for superior strength
enclosed fixings for hygiene



Sola Medical 500mm basin with sola lever action taps

to specify/order:

Please use the eight character reference shown below .

washbasin

Pedestal or wall fixing 500 x 400mm,
no overflow, no chainstay:

2 tap holes, LB G M **SA4252WH**
1 right hand tap hole, LB G M **SA4255WH**
1 left hand tap hole **SA4256WH**
No tap hole **SA4250WH**

pedestal

Pedestal **VW4910WH**
Semi-pedestal **GN4970WH**

fixings

Wall bolts 120mm (pair) **SR1015XX**
Wall bolts 140mm (pair) **SR1018XX**
Total Install™ bracket pack
for 500 basin **TI1960XX**

recommended brassware

Sola
Please refer to the healthcare section for
guidance on suitable brassware.

waste

Wastes are shown at the back of this section.

applications

Commercial, Healthcare.

approvals

HTM64, code LB G M

material

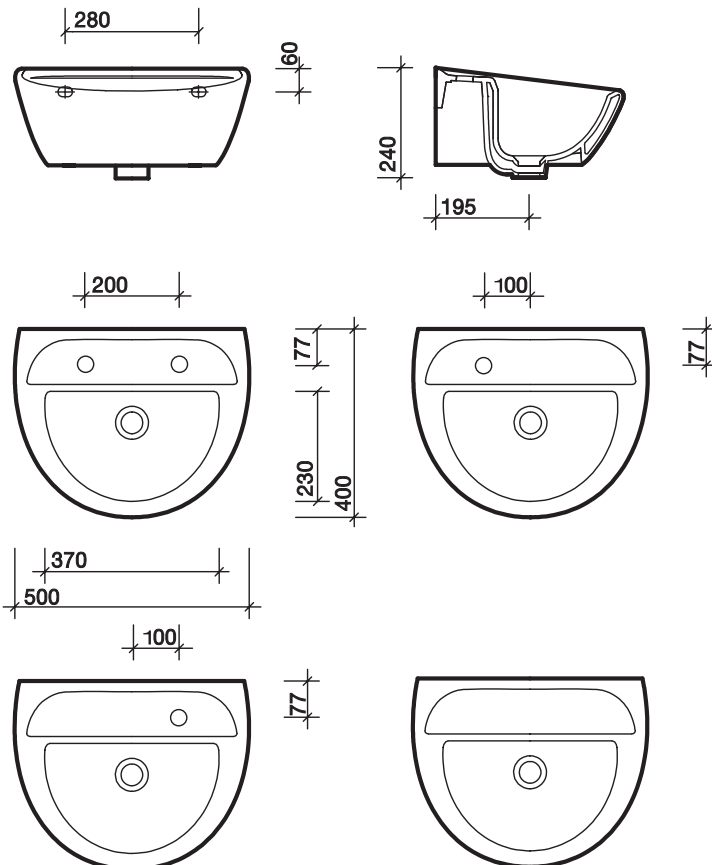
Vitreous china.

colour

White WH

note

2 tap basin - 25mm holes.
1 tap basin - 32mm holes.



All measurements shown are in millimetres. Drawing sizes are not to scale.

Fixings guidance:							
Fixings	Wall	Brick	Block	Timber >75mm	Timber or panels <75mm	Plasterboard	Foam filled
Wall fixed or semi-pedestal							
Bolts	✓	✓	✓	✗	✗	✗	✗
TI Bracket	●	●	●	✓	●	●	●
Full-pedestal							
Bolts	✓	✓	✓	✗	✗	✗	✗
TI Bracket	●	●	●	✓	✓	✓	✓

Key:

- ✓ Recommended
- Possible
- ✗ Not recommended

The above is for guidance only. If in doubt, contact a qualified structural engineer.