

Manual Mixing Tap with Lever

Product code

Finish

SST 1000-L

Chrome

- Type I valve, complying with NHS Guidelines
- Sequential lever control for temperature and flow
- Maximum temperature stop



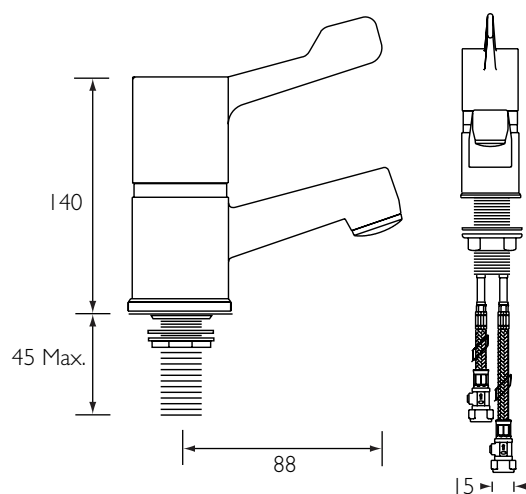
Healthcare

Leisure

Education

Easy to Use

WRAS



All measurements in mm (unless stated otherwise)
Inlet connection 15mm

Performance with open outlet								
Pressure Drop	0.1	0.2	0.5	1	2	3	4	5
Flow Rate	-	3.3	5.4	7.7	11	13	15	17

Call our specifier helpline on 0844 701 6273 or visit www.sirrusshowers.com
Gummers Unit H, Redfern Park Way, Tyseley, Birmingham, B11 2DN, UK

For latest prices and delivery to your door visit MyTub Ltd - www.mytub.co.uk - info@mytub.co.uk 0844 556 1818



Pressures

Minimum Pressure Drop 0.1 bar
Maximum Dynamic Pressure 5 bar
Maximum Static Pressure 10 bar