



AQM63.0

1193P09



ALT-AB200

1193P08



ALT-C001

1193P07



AQM63.2/3

1193P11



FK-TZ1

1193P11

Accessories and Spare Parts

For thermostats RAK-..., RAZ-... and sensors

ALT-A...
ALT-C...
AQM63.2/3
FK-TZ1

- Perforated protection pocket for air duct mounting
- Mounting kit
- Adjustable mounting flange
- Plastic Capillary clamps
- Metal Capillary clamps

Type summary

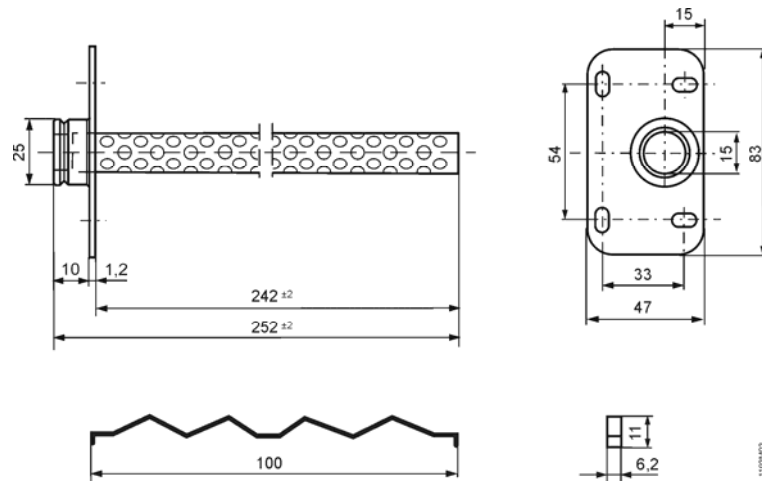
Type reference	Name	Use	Material	Immersion length [mm]	Inner dia. of pocket [mm]	Weight [kg]
ALT-AB200	Protection pocket, perforated, with coupling spring	Air duct mounting	Steel, galvanized	240	15	0.125

Type reference	Name	Contents	Use	Material	Weight [kg]
ALT-C001	Mounting kit	1 spring 100 mm	For fixing the sensing element inside the perforated protection pocket (to prevent noise caused by vibrations)	Steel	0.034
		1 clamping band 330 mm	For fitting the RAK to pipes	Steel, galvanized	
		4 clamps	Wall mounting: For securing the sensing element inside the protection pocket	Steel	
AQM63.0	Mounting accessories	1 mounting flange, adjustable	Suited for air ducts with up to 70 mm insulation	PA66GF35	0.038

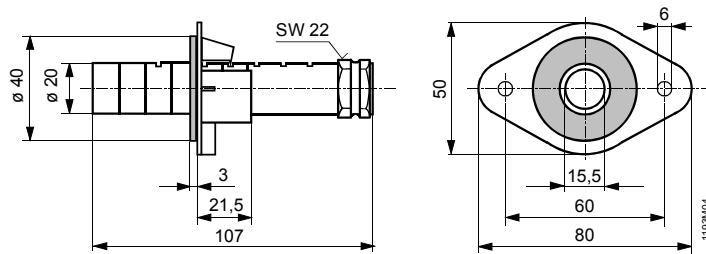
Type reference	Name	Measure [mm]	Use	Material	Weight [kg]
AQM63.3	Capillary clamps made of plastic (1 Set includes 6 pcs)	L = 50 mm, H = 62 mm, D = 25 mm	For fixing capillary tube to the heat coil.	Plastic (Glass fiber reinforced)	0.05
AQM63.2	Capillary clamps made of plastic (1 Set includes 3 pcs) incl. 3 metal distance holder	L = 50 mm, H = 62 mm, D = 25 mm	For fixing capillary tube to the heat coil. Additional are 3 pieces of metal distance holder included.	Plastic (Glass fiber reinforced)	0.05
FK-TZ1	Capillary clamps made of galvanized steel (1 set includes 6 pcs)	L = 50 mm, H = 37 mm, D = 6 mm	For fixing capillary tube to the heat coil.	Steel galvanized	0.06

Dimensions (in mm)

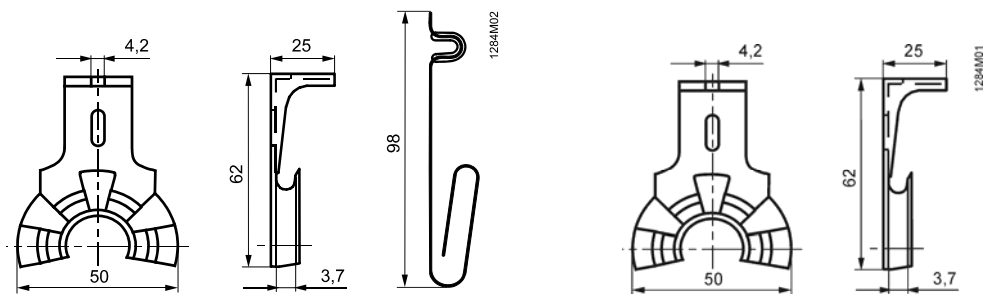
ALT-AB200



AQM63.0



AQM63.2 / AQM63.3



FK-TZ1

