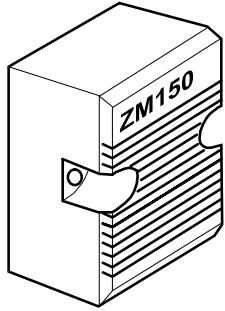


SIEMENS

Landis & Staefa Division

ZM150
ZM250



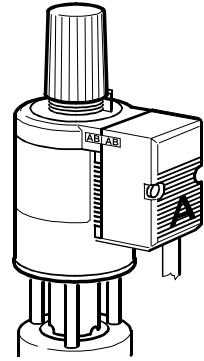
BC BC

35731A

4

	ZM150	ZM250
M3P...Y	08 ... 65	80 / 100
M3B...GY	15 ... 50	-
M2H...FYN	15 ... 50	-
M2FE...L	15 / 20	-
MVL661.25	25	-

1

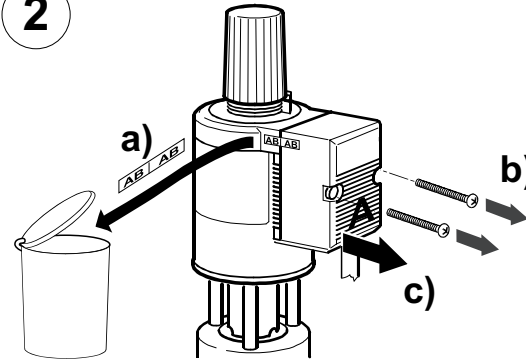


~~AC 24 V~~
~~DC 0 ... 10 V~~
~~DC 4 ... 20 mA~~

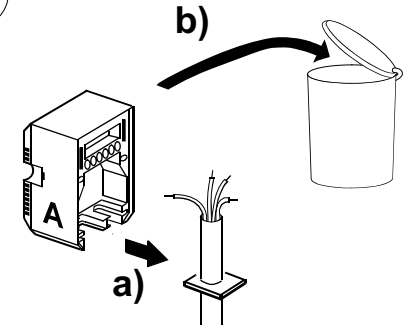


Power off

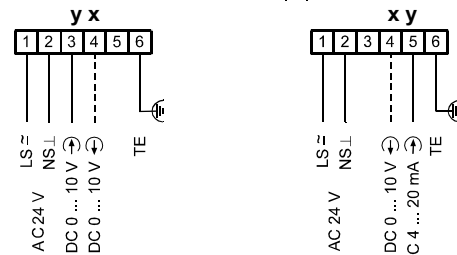
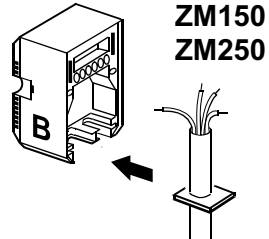
2



3

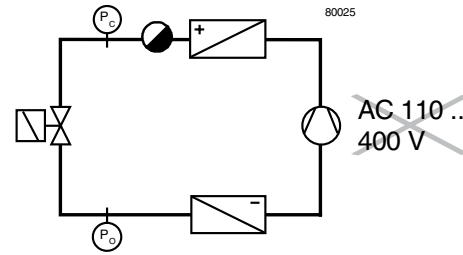


5



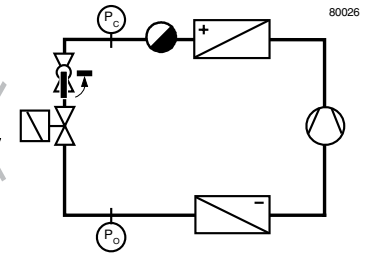
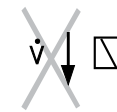
6a

M2FE...L...
MVL661.25



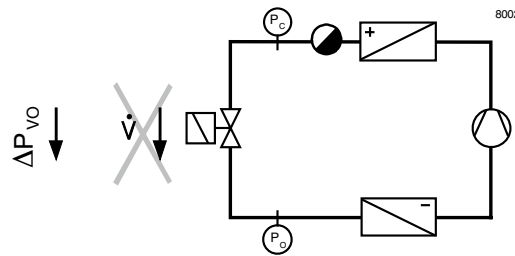
6b

M2FE...L...
MVL661.25



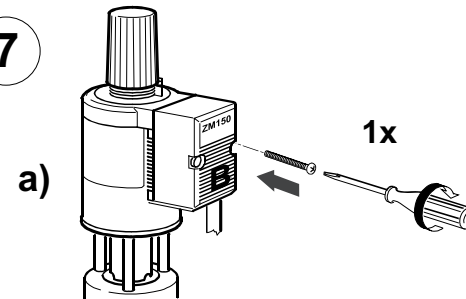
6c

M2FE...L...
MVL661.25



$$\Delta P_{vo} = P_c - P_o = 0$$

7

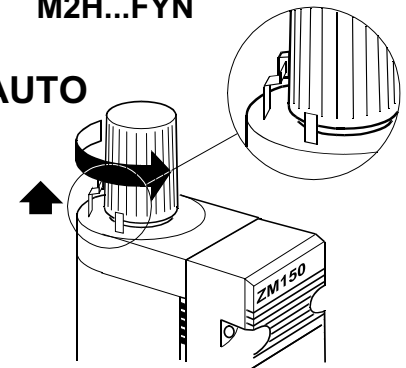


b) AC 24 V

8

M3P...Y
M3B...GY
M2H...FYN

AUTO



9 Auto-Calibration

