



**SHOWERLUX HELPLINE: TEL: 02476 882518**

Fax: 02476 882539

Email: [technical@showerlux.co.uk](mailto:technical@showerlux.co.uk)

Email: [spares@showerlux.co.uk](mailto:spares@showerlux.co.uk)

**SHOWERLUX (UK) Ltd.**


Sibree Road, Coventry, West Midlands CV3 4FD

Tel: 02476 639400

Fax: 02476 305457

Due to a policy of continuous improvement and product development, Showerlux UK Limited reserves the right to amend specification without notice.

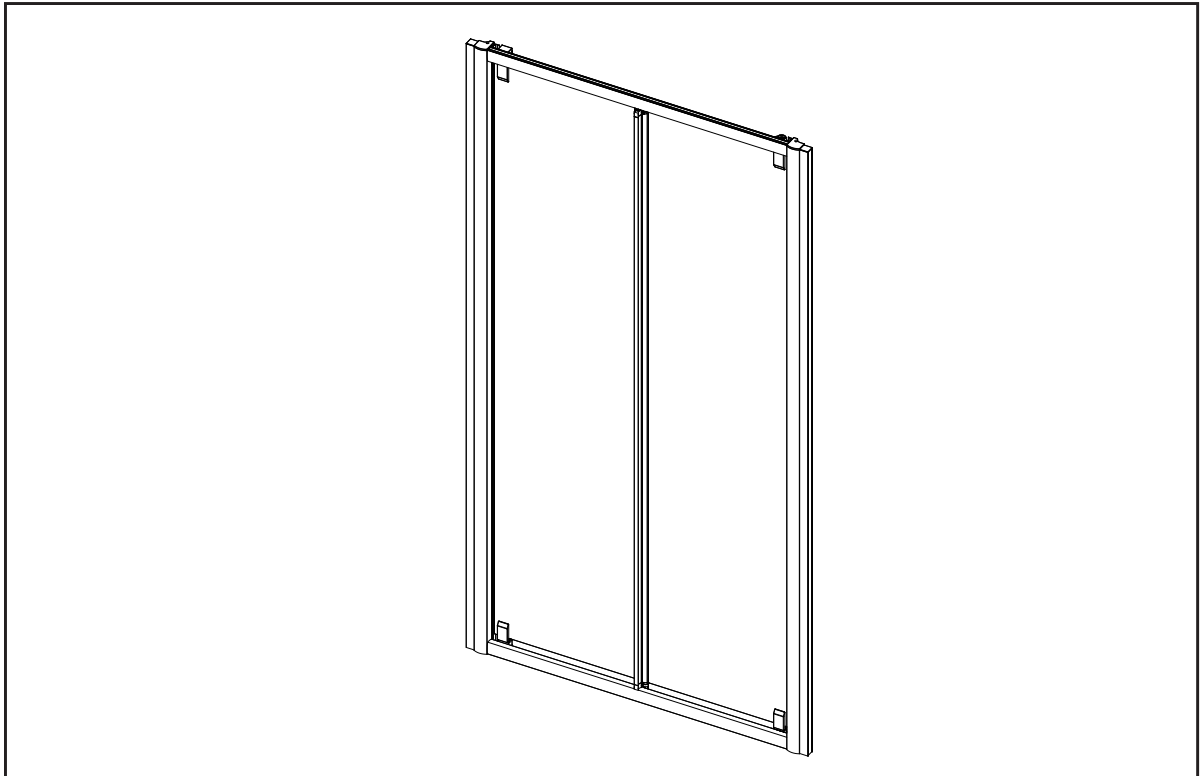
Issue 1 - 04/08

For latest prices and delivery to your door visit MyTub Ltd - [www.mytub.co.uk](http://www.mytub.co.uk) - [info@mytub.co.uk](mailto:info@mytub.co.uk) 0844 556 1818 



# INSTALLATION INSTRUCTIONS

## FOR THE GLIDE BI-FOLD DOOR ENCLOSURES



### IMPORTANT - PLEASE READ

- **Please read these instructions carefully before assembly and installation.**
- Please inspect immediately upon receipt for damage that may have been caused in transit.
- Damage reported later cannot be accepted.
- Before installation, you must ensure that the shower tray is level in all directions and completely sealed to the tiles.
- This product must only be fitted onto tiled or waterproof surfaces.
- The wall plugs and screws supplied are for use on solid walls and floors only. Any other surface will require alternative fixings.
- The enclosure when fitted, must not overhang the front of the tray.
- Please leave this instruction leaflet with the customer.

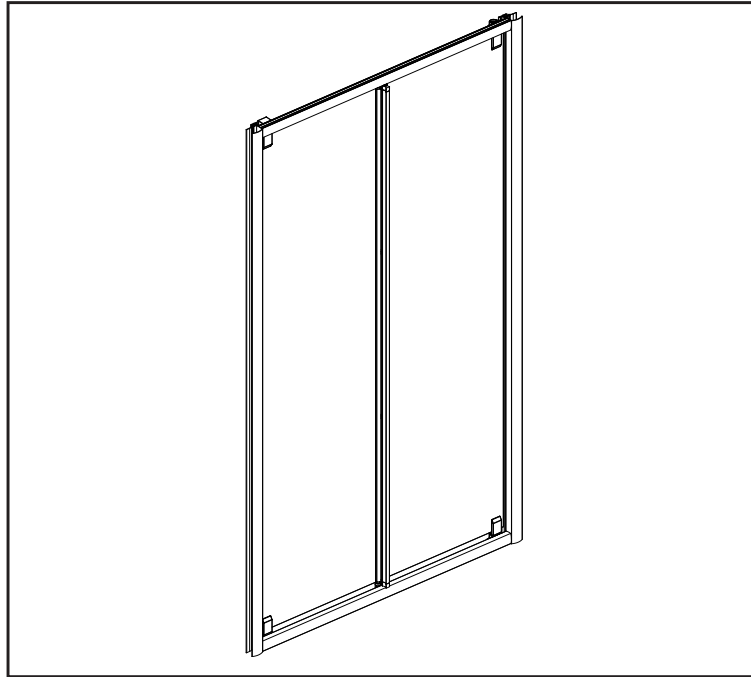


## HINTS & TIPS






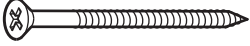









- Surfaces to be siliconed should be de-greased in accordance with silicone suppliers instructions, observing any safety instructions.
- Ensure there are no hidden pipes or cables in the wall before drilling.
- If using power tools (e.g. to drill holes) wear safety glasses and always disconnect tools from the power supply after use.
- If drilling holes in ceramic tiles use a piece of masking tape on the tile to stop the drill bit from slipping.
- DO NOT use your drill on hammer action when drilling holes in ceramic tiles.
- Use the opened out enclosure packaging to protect your floor and wall while assembling.

## CARE & MAINTENANCE

- To prevent the formation of water spots on the glass, use the squeegee supplied in the installation fixing pack to wipe down the glass after every shower.
- Always use plenty of water and a soft cloth or sponge to wipe down all aluminium sections and plastic parts.
- Do not use any solvent or abrasive chemicals to clean this product.
- We recommend that this product is cleaned with Showerlux 'Showerclean' once a week. This will help to reduce the build up of lime scale.
- Showerlux enclosures and screens are generally maintenance free. However, it may be necessary to lubricate roller assemblies or other moving hinge parts occasionally. Use a high quality silicone spray on the moving parts as required.



## BIFOLD CONTENTS

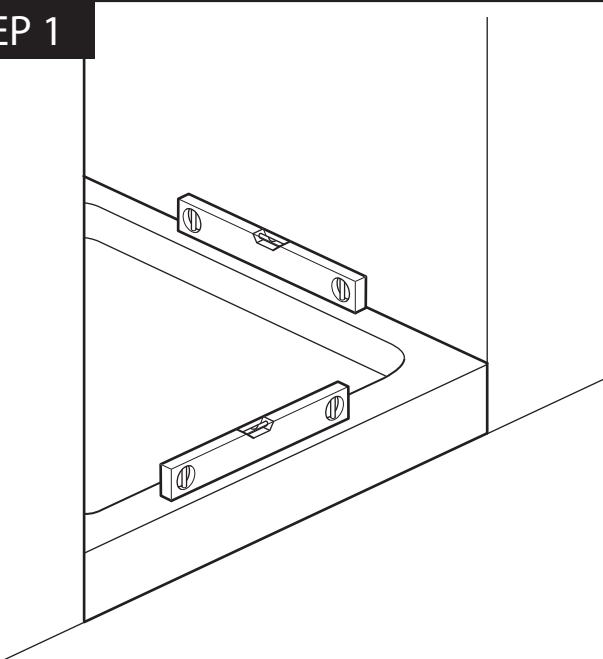
BAG 1		BAG 2		SEALS
 2550	 2292	 60140	 60005	 2361
<b>A</b> Screw Cover Cap ..... x 2	<b>B</b> Screw Hole Plug ..... x 8	<b>L</b> 9.5mm Screw ..... x 8	<b>M</b> 13mm Screw ..... x 2	<b>Z5</b> Horizontal seal ..... x 2
		 62064	 25006	
		<b>N</b> 65mm Screw ..... x 8	<b>O</b> Wall plug ..... x 8	
		 62092	 62072	
		<b>P</b> Centre punch ..... x 1	<b>Q</b> 2.8mm Drill bit ..... x 1	
		 20795	 2210	
		<b>R</b> Screw cover ..... x 8	<b>S</b> Wall channel cap .... x 2	
		 2211 (L)	 62158	
		 2212 (R)	<b>V</b> Glass squeegee ..... x 1	
		 24828		
		<b>W</b> Measuring tool ..... x 1		

## EQUIPMENT NEEDED

- Crosshead screwdriver ● Drill ● 8mm Masonry bit ● Hammer ● Rubber mallet ● Tape measure ● Pencil
- Fine tooth saw ● Spirit level ● Masking tape ● Silicone sealant / Applicator ● De-greaser e.g White spirit

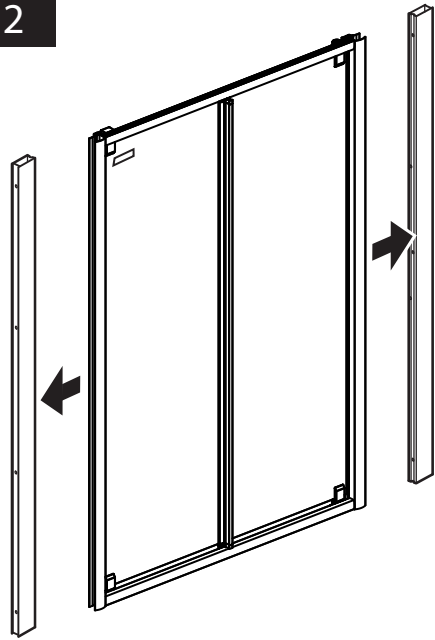
Before installation choose which side you want to open the unit from. The current illustrations show a left hand installation with the door opening from right to left. Should you require a right hand installation, rotate the unit from top to bottom for the opposite configuration to the one shown.

### STEP 1



Check that the tray is level in all directions as shown above.

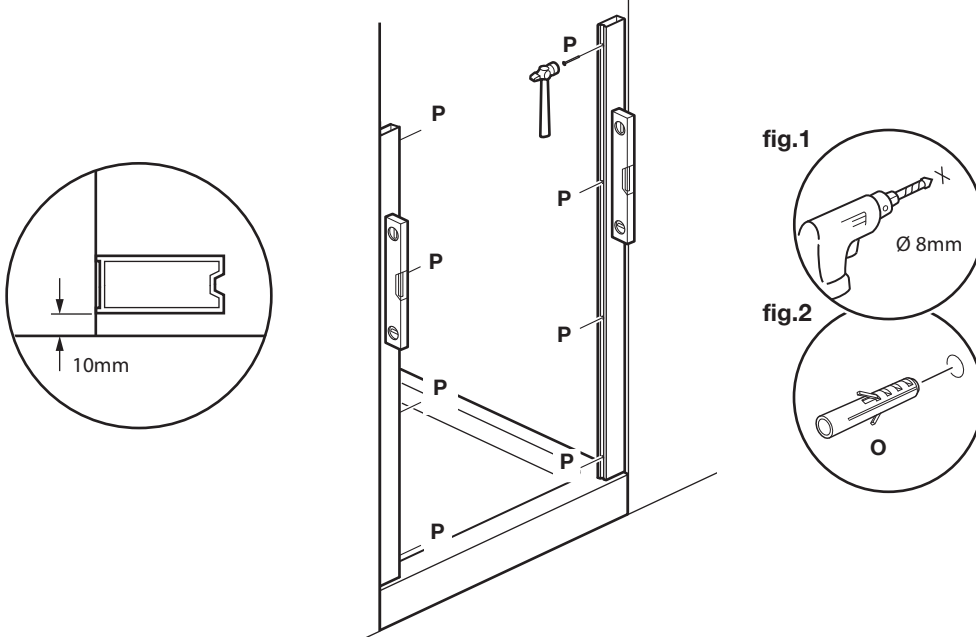
### STEP 2



Remove the wall channels from the door and put to one side.

**Note:-** Use the opened out enclosure packaging to protect your tray/floor & wall while assembling.

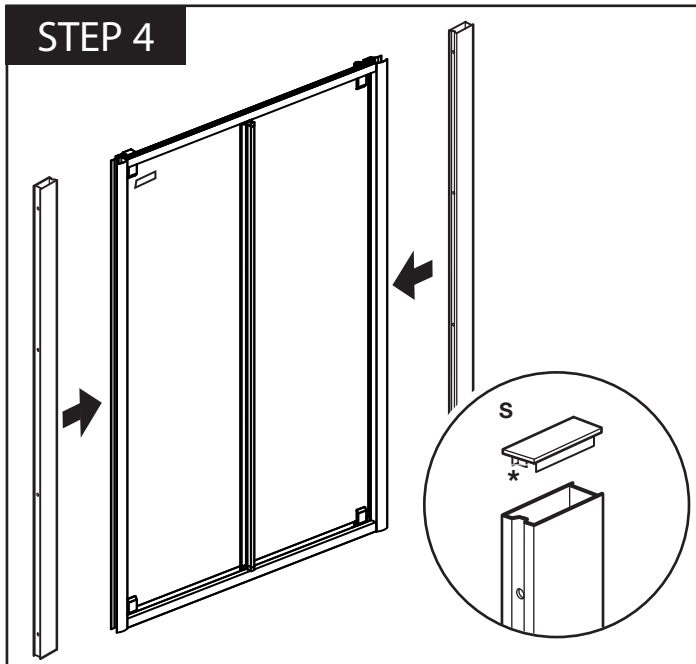
### STEP 3



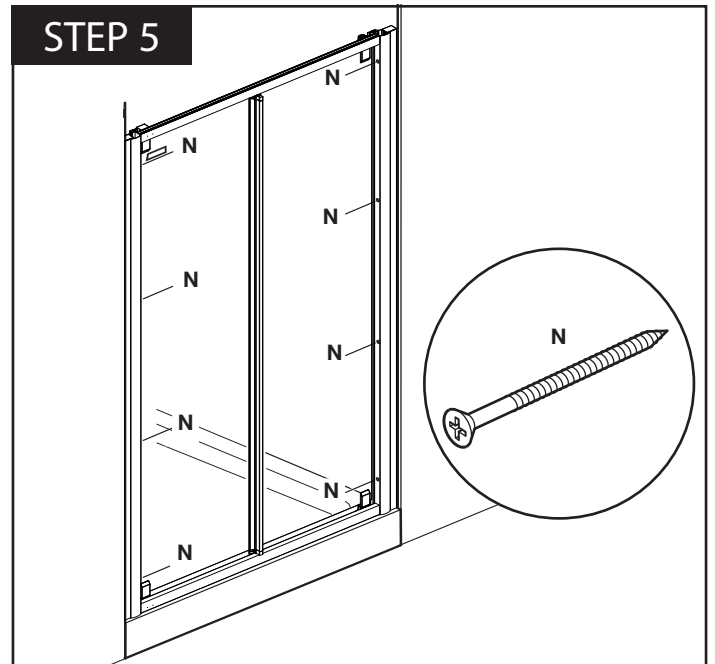
Position the wall channels 10mm from front edge of the tray using the measuring tool (**W**). Holding the wall channels to the wall and ensuring they are perfectly vertical and parallel to each other, mark off drill hole positions onto the tiles using centre punch (**P**).

**Note:** failing to position the wall channels as described above will reduce the action and performance of the door.

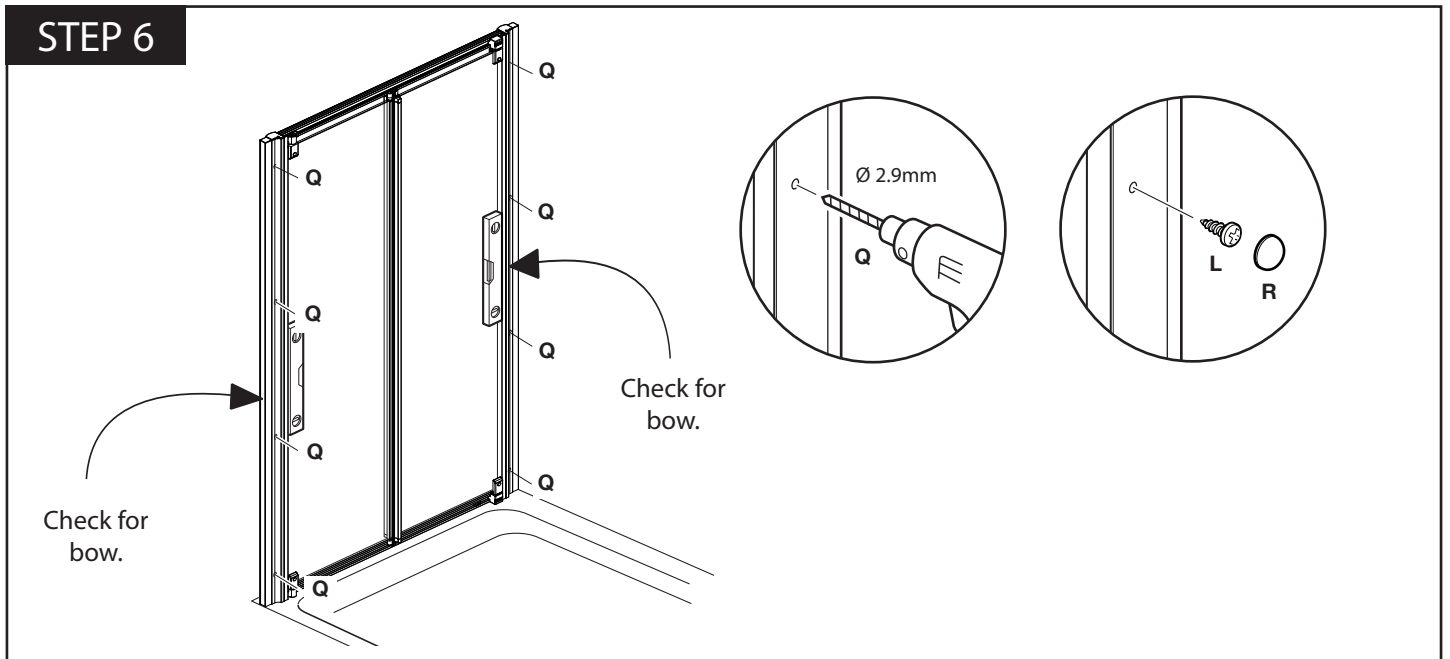
Drill 8mm dia. holes to a depth of 50mm (**fig.1**). Push-fit wall plugs (**O**) in beyond depth of tile (**fig.2**). **Important: Do not fix the wall channels to the wall yet.**



Fit the wall channel caps (**S**) to the top of the wall channels with the end tab (\*) in the position shown. **Note:** Tapping in place with a rubber mallet may help.  
Insert the wall channels into the sides of the enclosure.

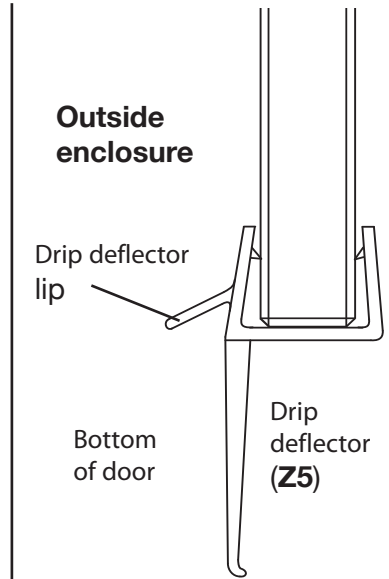
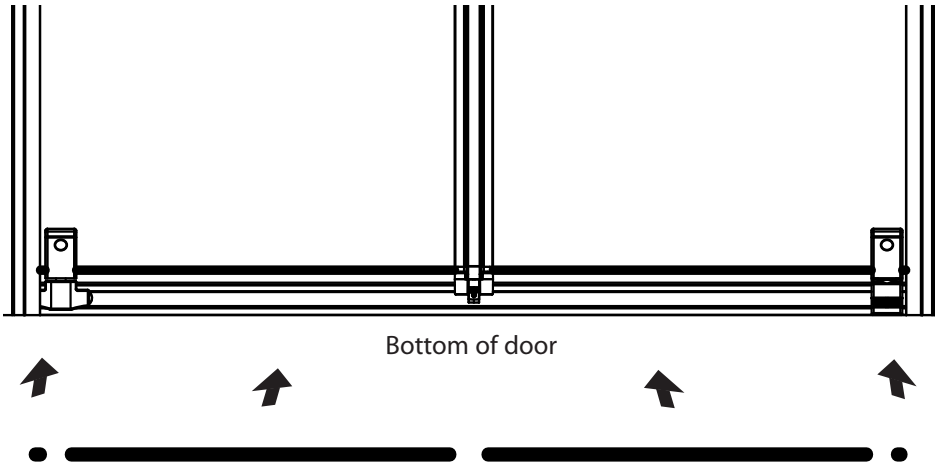


Lift and place the enclosure onto the tray, seek assistance should you require it. The enclosure should sit with an even gap all along the front of the tray with no part overhanging.  
Line up the enclosure with the pre drilled holes in the walls. Using the 65mm countersunk screws (**N**) fix through the enclosure sides into the fitted wall plugs.



With the tray level, centre the enclosure within the wall channels and ensure the frame is vertical.  
**Note:** Make certain that the frame profile is not bowed on either side.  
From inside the enclosure, drill through the holes in the side profiles (as shown) into the wall channels using the 2.8mm drill bit supplied (**Q**).  
Fix the sections together using eight 9.5mm pan head screws (**L**) and push-fit screw covers (**R**).

**STEP 7**

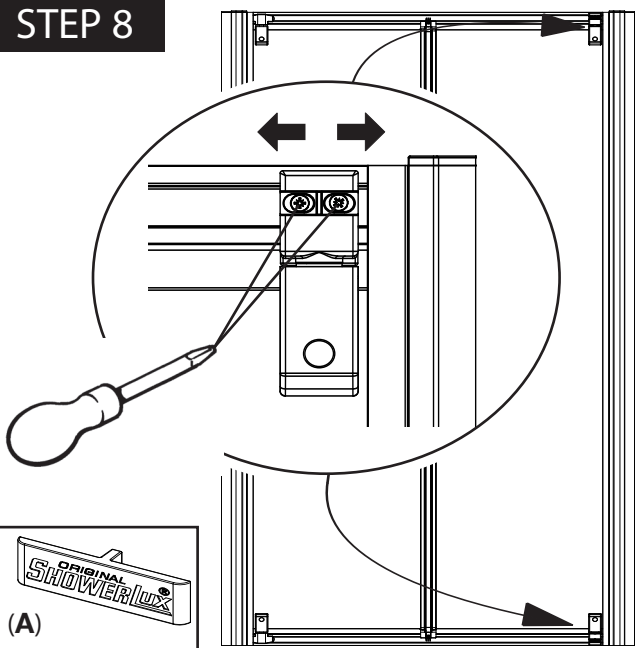


Take one of the drip deflectors (Z5) and size a short piece from it to fit between the frame and the pivot block, trim this sized piece from the drip deflector and fit. Repeat this with the other drip deflector (Z5) between the frame and the wheel hanger.

Ensure the lip of the drip deflector is to the outside of the enclosure as illustrated above.

With the remainder of the drip defletors (Z5) size and fit to the bottom of both door panels.

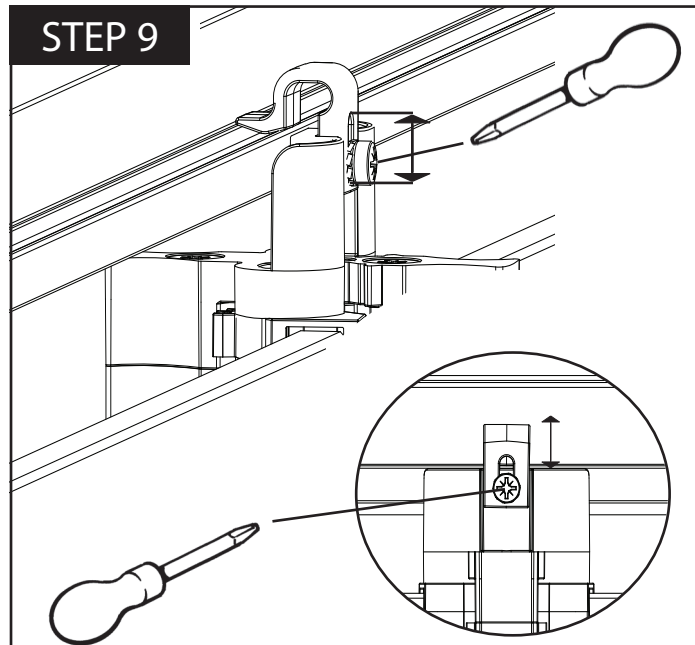
**STEP 8**



It is important that the door is kept square within the frame to allow the door to run freely.

To adjust the door, loosen the top and bottom hinge adjustment screws and move to the left or right as required. When adjustment is complete, re-tighten the screws. Orientate the pivot block screw cover caps (A) and push-fit on to the pivot the pivot blocks top and bottom.

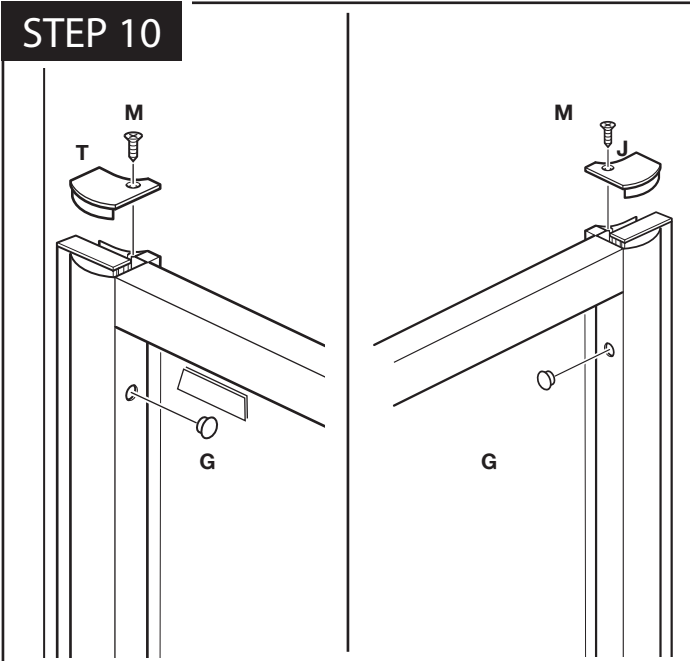
**STEP 9**



Using a fine Pozi head screw driver loosen the screw on the top and bottom handle hinge casting.

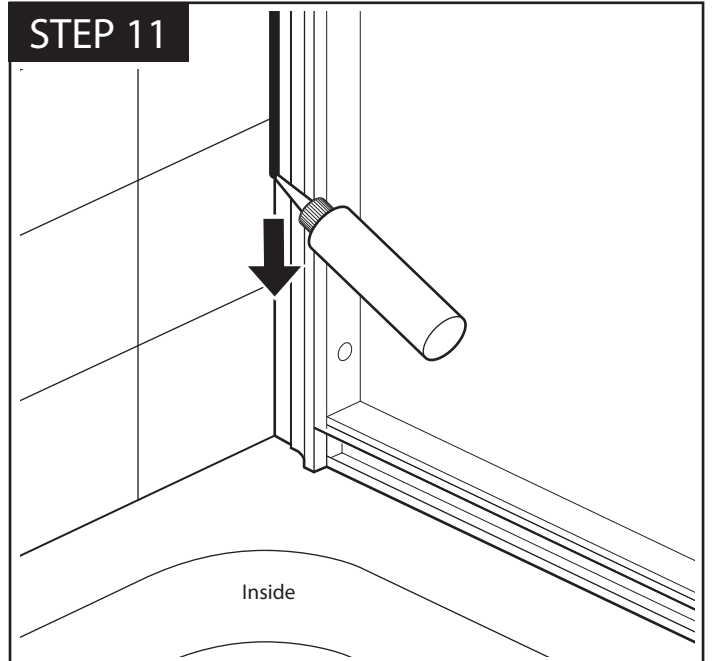
With the door in the closed position, hold the clip down on to the top rail as shown in the illustrations above. Once in the desired position lock off by tightening the previously loosened screw. Repeat this step with the bottom clip although position and hold the clip up on to the bottom rail.

**STEP 10**



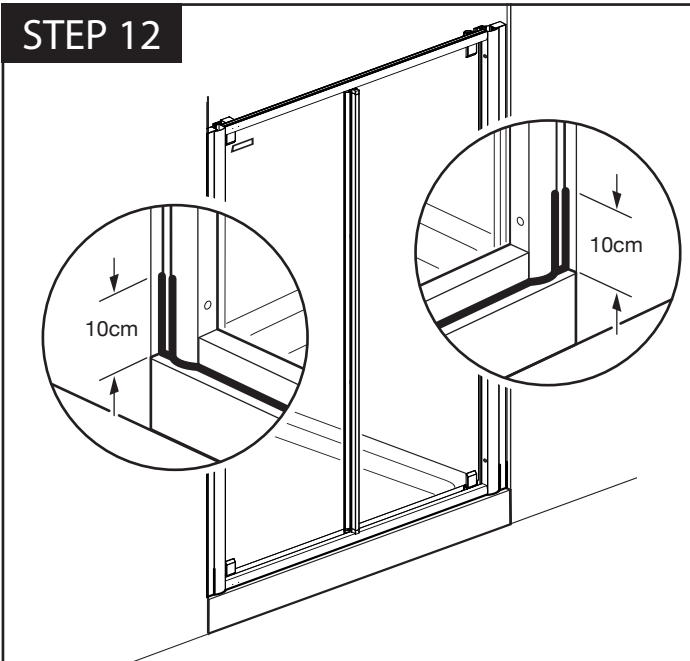
Place the correctly handed frame caps (**T & J**) as shown and fix using 13mm countersunk screws (**M**).  
Push-fit all eight screw hole plugs (**G**) as shown.

**STEP 11**



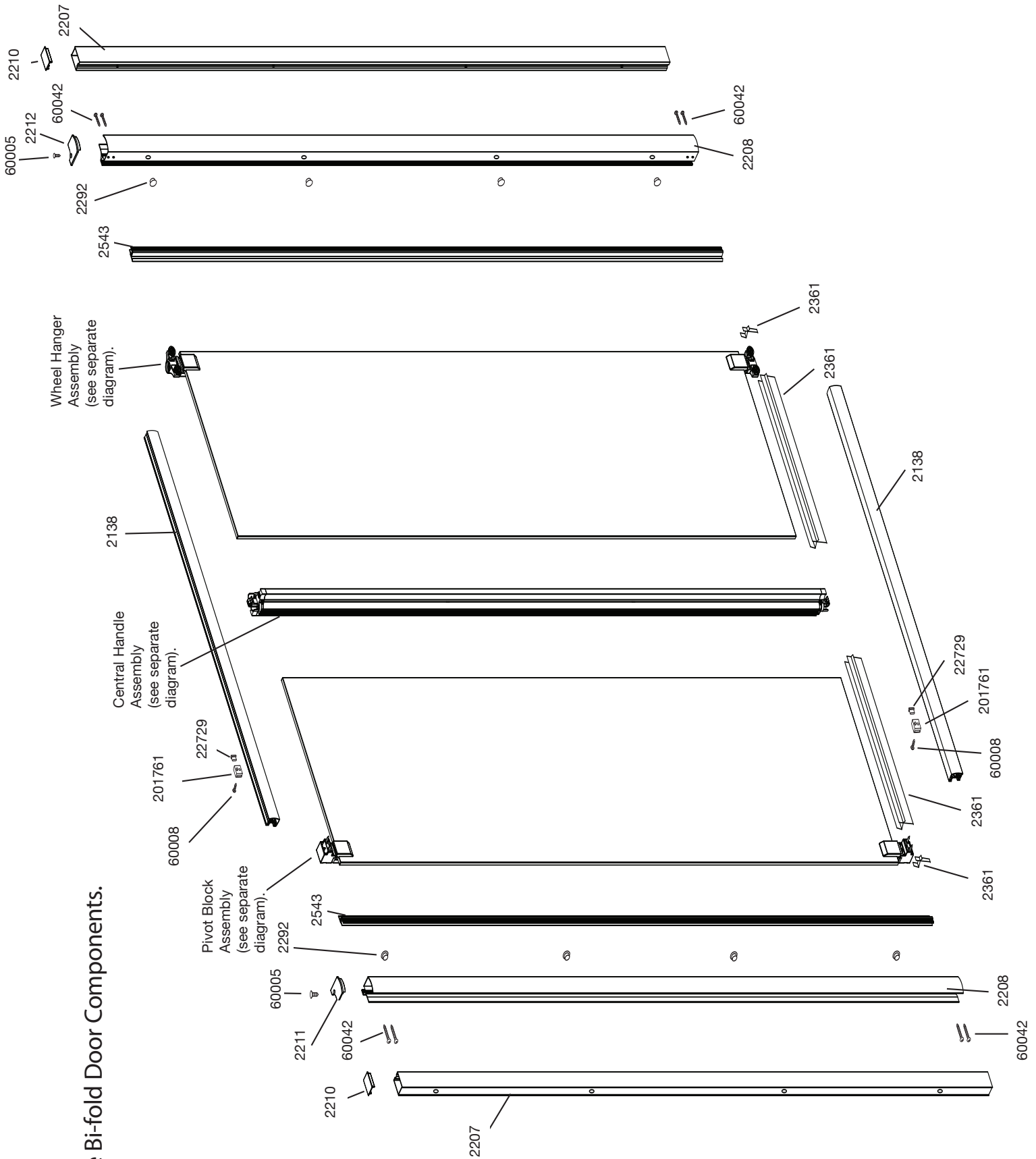
From the inside of the shower enclosure, silicone the entire vertical length of the wall channels up against the walls.  
**Important:** Do not silicone the lower horizontal frame of the enclosure on the inside **or the ends of the vertical profiles of the frame.**

**STEP 12**



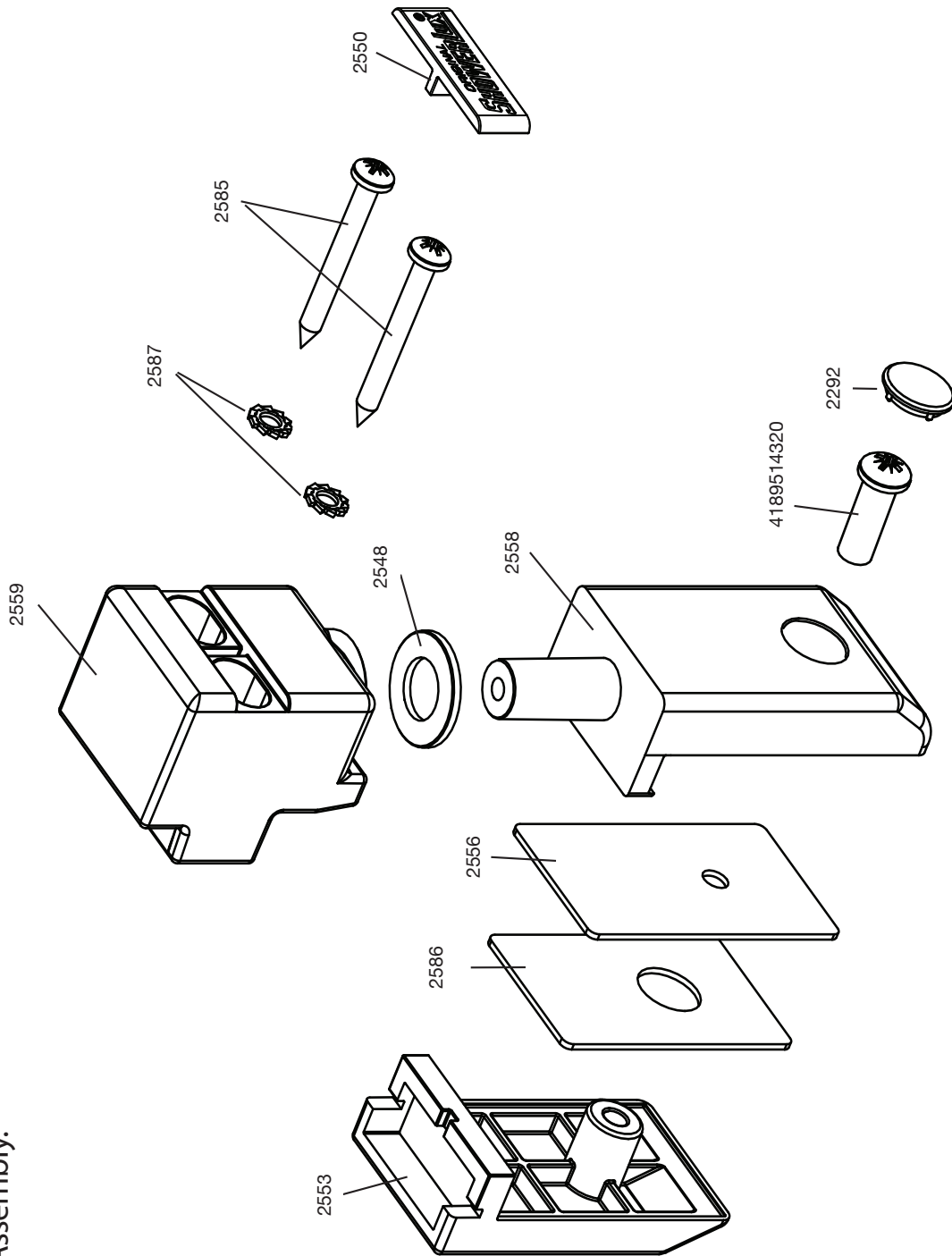
From outside the enclosure, silicone along the bottom of the enclosure on the shower tray all the way around and 10cm up each wall.  
Also silicone 10cm up the joint between the wall channel and side profiles as shown.



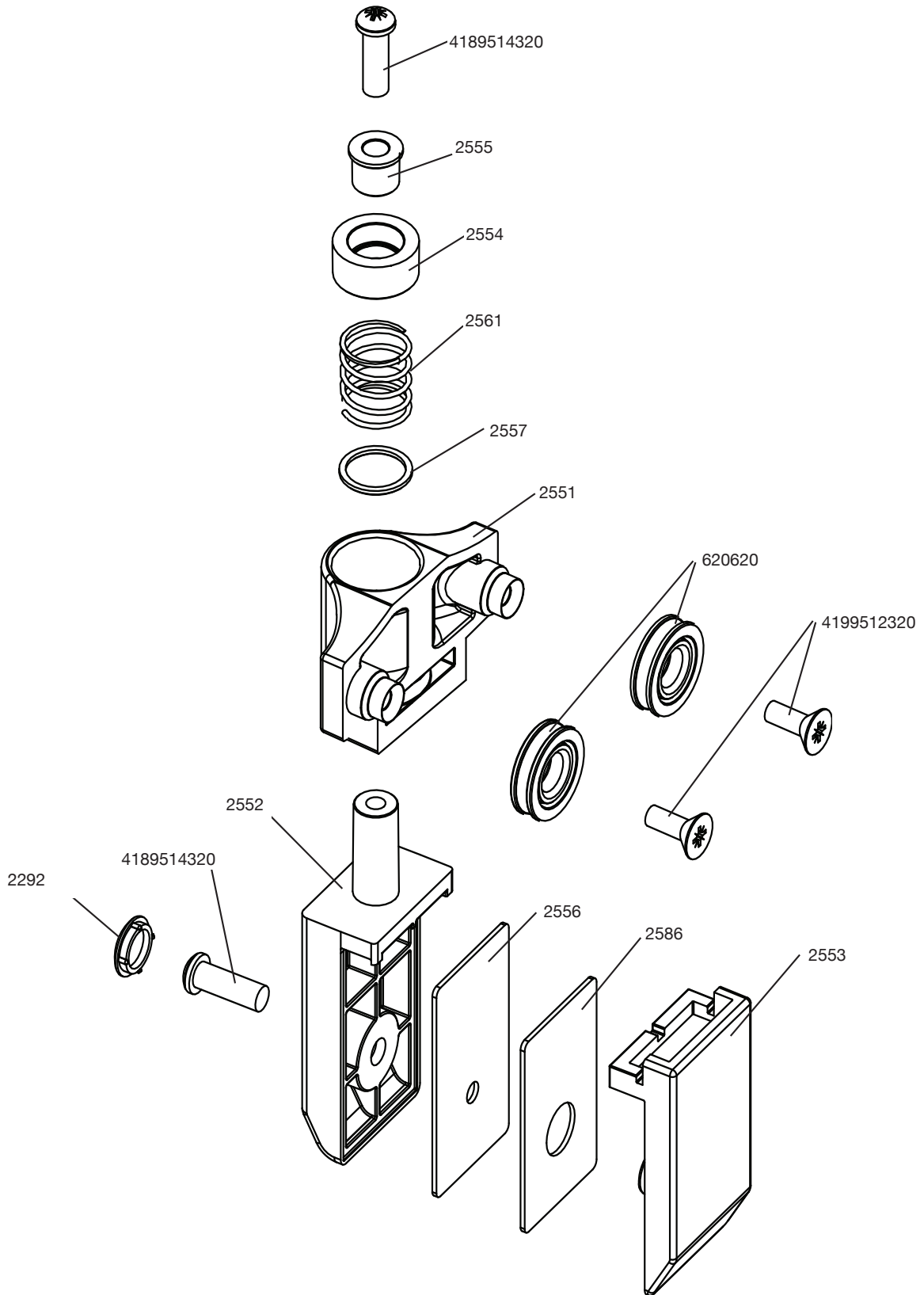


**Glide Bi-fold Door Components.**

Glide Bi-fold Pivot Block Assembly.



Glide Bifold Wheel Hanger Assembly.



Glide Bifold Central Handle Assembly.

