

Saracen – Exposed Thermostatic Shower

Description

The Saracen is a new generation of solid brass design with high quality chrome finish. Offering separate on/off and temperature control, the Saracen is independently tested and certified under BuildCert TMV3 scheme.

The Saracen is available for Exposed or Recessed mounting and an optional stylish lever control version is also available. The angled inlet valve assemblies incorporate an isolating valve, non return valves and stainless steel filters.

An integral flow regulator delivers effective water economy at 8.5 Litres per minute and can be removed for use in low pressure applications.



Data

Thermostatic shower mixing valve	- BuildCert TMV3 Scheme (D08)
Dual control operation with separate temperature and on-off control	
Temperature setting range	- 37 to 43°C
Normal control temperature	- 41°C (adjustable)
Maximum hot supply temperature	- 90°C
Temperature differential	- 10°C (<i>cold water failsafe</i>)
Recommended working pressure	- 0.2 to 3.0 Bar
Pressure Min / Max	- 0.2 to 5.0 Bar
Maximum differential	- Compliant to DO8 spec.(<i>BSEN1111</i>)
Inlet Connections (<i>swivel unions</i>).	- 15 mm compression
Outlet Connection -Top or Bottom.	- 15 mm with 8.5 L/min flow regulator
Pipe centres	- 150 mm
Avance Elan spares kit	- Code no. TBA

Materials

Valve Body / control knobs	– DZR brass, chrome plate finish
Thermostatic Element	– Copper

Code

Description

SARA005	- Saracen thermostatic shower TMV3 Exposed, chrome
SARA006	- Saracen thermostatic shower TMV3 Exposed Lever, chrome
SARA007	- Saracen thermostatic shower TMV3 Recessed, chrome
SARA008	- Saracen thermostatic shower TMV3 Recessed Lever, chrome

Douglas Controls 7 Henderson House, Hithercroft Road, Wallingford, Oxfordshire, OX10 9DG
Tel 01491 824449 Fax 01491 825727 www.douglascontrols.co.uk

BuildCert Approved applications

Approval Number ETC / BC331 Pending

WRAS listed no.

HP-S High pressure Shower

LP-S Low pressure Shower

Application

The Saracen thermostatic shower mixing valve offers dual control operation and is ideally suited for single point shower applications where durability and high performance is essential. The modern stylish design and superior performance makes the Saracen a natural choice for hotels, university halls of residence, health & elderly care establishments, sports & leisure facilities and in private homes. The Saracen is suitable for vented or unvented systems and with combi-boilers and can be used with a range of fixed heads or flexible shower kits.

How to specify

Saracen thermostatic shower TMV3 Exposed, chrome finish

Code no. SARA005

Saracen thermostatic shower TMV3 Exposed Lever, chrome finish

Code no. SARA006

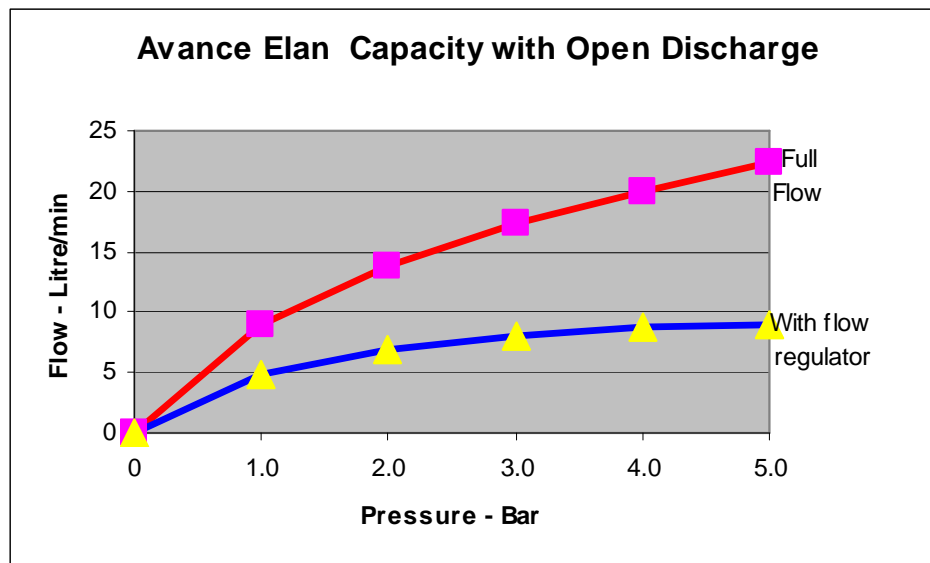
Saracen thermostatic shower TMV3 Recessed, chrome finish

Code no. SARA007

Saracen thermostatic shower TMV3 Recessed Lever, chrome finish

Code no. SARA008

Capacity – with Open Outlet





Saracen – Shower sets

Description

Saracen is a new generation of solid brass design with high quality chrome finish. Offering separate on/off and temperature control, the Saracen is independently tested and certified under BuildCert TMV3 scheme.

The Saracen is available for Exposed or Recessed mounting with optional stylish lever control and is available as Set complete with Contract flexible height shower kit.

The angled inlet valve assemblies incorporate an isolating valve, non return valves and stainless steel filters. An integral flow regulator delivers effective water economy at 8.5 Litres per minute and can be removed for use in low pressure applications

Data

Thermostatic shower mixing valve	BuildCert TMV3 Scheme (D08)
Dual control operation with separate temperature and on off control	
Temperature setting range	- 37 to 43°C
Normal control temperature	- 41°C (adjustable)
Maximum hot supply temperature	- 90°C
Temperature differential	- 10°C (<i>cold water failsafe</i>)
Recommended working pressure	- 0.2 to 3.0 Bar
Pressure Min / Max	- 0.2 to 5.0 Bar
Maximum differential	- Compliant to DO8 spec.(<i>BSEN1111</i>)
Inlet Connections (<i>swivel unions</i>).	- 15 mm compression
The inlet assembly incorporates isolating valve, non return valve and filter	
Outlet Connection -Top or Bottom.	- 15 mm with 8.5 L/min flow regulator
Pipe centres	- 150 mm
Avance Elan spares kit	- Code no.

Materials

Valve Body / control knobs	– DZR brass, chrome plate finish
Valve/shroud	– Noryl GFN3
Element	– Copper

Code numbers

SARA001	- Saracen thermostatic shower TMV3 Exposed, chrome with Contract flexible shower kit.
SARA003	- Saracen thermostatic shower TMV3 Exposed Lever, chrome with Contract flexible shower kit.
SARA002	- Saracen thermostatic shower TMV3 Recessed, chrome with Contract flexible shower kit.
SARA004	- Saracen thermostatic shower TMV3 Recessed Lever, chrome with Contract flexible shower kit.

BuildCert Approved applications

Approval Number	ETC/BC	Pending
WRAS listed no.		

HP-S	High pressure Shower
LP-S, LP-SE	Low pressure Shower, Economy with flow regulator

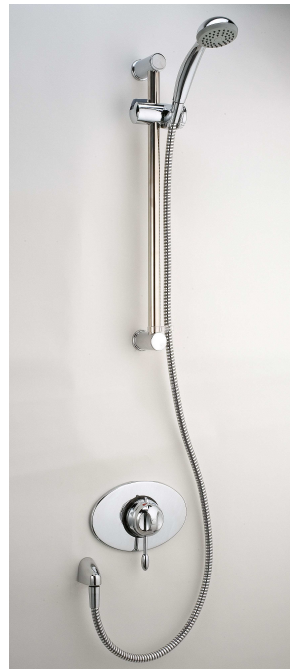
Douglas Controls 7 Henderson House, Hithercroft Road, Wallingford, Oxfordshire, OX10 9DG
Tel 01491 824449 Fax 01491 825727 www.douglascontrols.co.uk

Application

The Saracen thermostatic shower mixing valve offers dual control operation and is ideally suited for single point shower applications where durability and high performance is essential. The modern stylish design and superior performance makes the Saracen a natural choice for hotels, university halls of residence, health & elderly care establishments, sports & leisure facilities and in private homes. The Saracen is suitable for vented or unvented systems and with combi-boilers and can be used with a range of fixed heads or flexible shower kits.



Saracen Exposed with
Comfort 2-3 Shower Head -
Code 551301 & 207023FE

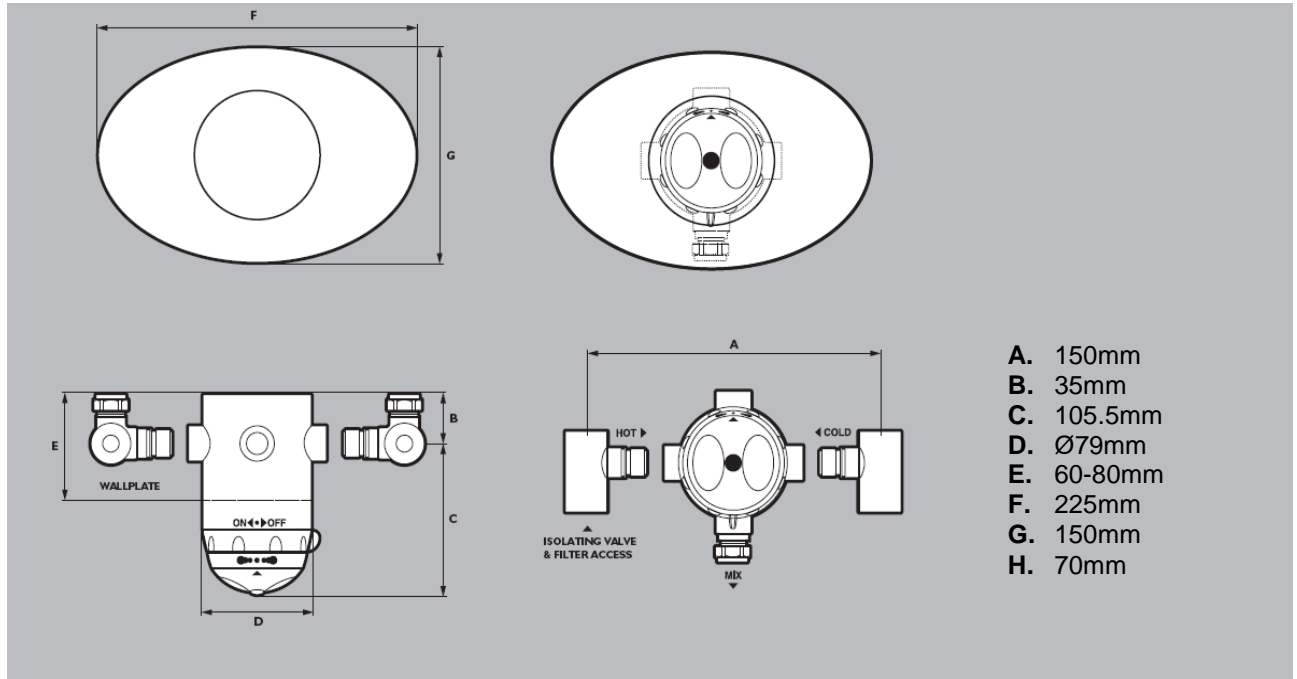


Saracen Recessed Lever with
Contract Shower Kit - Code
651301L

How to specify Saracen Shower Sets

- SARA001 - Saracen thermostatic shower TMV3 Exposed, chrome with Contract flexible shower kit.
- SARA003 - Saracen thermostatic shower TMV3 Exposed Lever, chrome with Contract flexible shower kit.
- SARA002 - Saracen thermostatic shower TMV3 Recessed, chrome with Contract flexible shower kit.
- SARA004 - Saracen thermostatic shower TMV3 Recessed Lever, chrome with Contract flexible shower kit.

Saracen Dimensions



Saracen Lever Dimensions

