

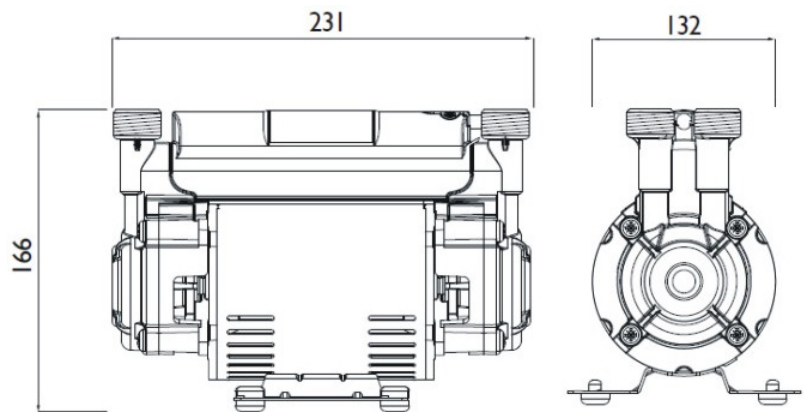
## TECHNICAL DATA SHEET

### SHOWER PUMP

#### 1.5 Bar Twin Impeller Shower Pump Powered By Stuart Turner

#### Product Specification

Product Code:	ST PUMP15TN
Pump Type:	Single speed twin impeller
Power Supply:	230 Volts AC
Power Consumption:	385 Watts
Inlet Connections:	Flexible hose – 15mm push fit
Outlet Connections:	Flexible hose – 15mm push fit
Pump Rating:	1.5 bar / 32 LPM
Motor Rating:	30 minutes on / 30 minutes off
Supply:	Suitable for gravity systems only
Max inlet head:	10 metres
Max head (closed valve):	15 metres
Max working pressure:	3.0 bar



#### Additional Information

- Twin impeller for boosting two water supplies
- Fully automatic flow switch control – pump automatically starts when flow of water exceeds 0.8 litres per minute.
- Pump rated at 1.5 bar pressure equivalent to 15 metres head height.
- Medium boost performance
- Low noise - fitted with anti-vibration feet
- Min inlet water temperature - 4°C
- Max inlet water temperature - 65°C
- Max number of starts per hour – 60
- Max ambient air temperature - 40°C

**Technical Advice:** For further information please call 0844 7016273 or email [customer@bristan.com](mailto:customer@bristan.com)

**Guarantee:** 2 years covering manufacturing faults.

#### Compliance / Approvals

WRAS: Certificate N°: 1003095

CE Mark:

Bristan, Birch Coppice Business Park, Dordon, Tamworth, B78 1SG  
Telephone: 0844 701 6274 Facsimile: 0844 701 6275  
Web Site: [www.bristan.com](http://www.bristan.com) Email: [enquire@bristan.com](mailto:enquire@bristan.com)



The information contained on this page was correct at date of issue. Fitting dimensions are provided as a guide only. Some variation may occur due to manufacturing tolerances. Bristan pursues a policy of continuing improvement in design and performance of its products and so reserves the right to change specifications without prior notice.

D1