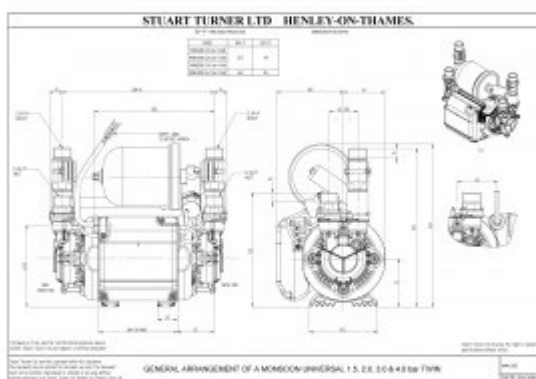




technical drawing



description:

monsoon universal twin pumps are designed for installation into both the hot and cold water supplies -boosting both.

universal pumps are fully automatic, will work under both positive and negative head conditions and are suitable for installation into open vented hot and cold water systems. universal pumps do not require a gravity flow of water to start the pump.

supplied complete, pre-wired and have flexible hoses with integral isolating valves

three year guarantee - extendable to 5 years by registering online

finishes:

chrome

guarantee:

3 year guarantee - extendable to 5 years by [registering online](#)

VADO wedmore road cheddar somerset england bs27 3eb

tel 01934 744466 fax 01934 744345 sales@vado-uk.com www.vado-uk.com