

wall hung bucket sink

ideal for where there is a need to dispose of dirty water



Wall hung bucket sink

to specify/order:

Please use the eight character reference shown below.

sink

500 x 400 x 460mm wall hung bucket sink, splashback, hinged grating and waste

PS5044SS

brassware

Please refer to the brassware section.

applications

Commercial, Domestic, Education, Healthcare, Hotels and Leisure, Other.

material

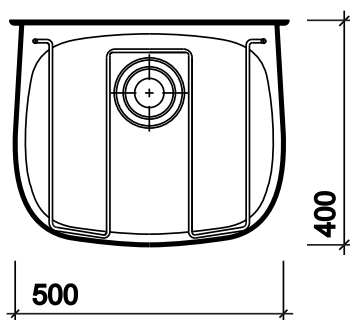
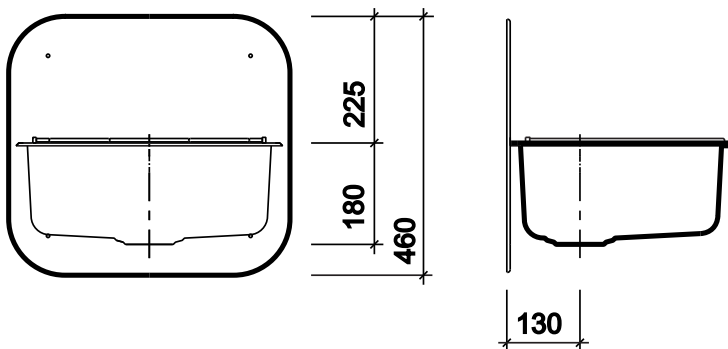
Stainless steel type 304 to EN 1 4401 or SS2333, AFNOR Z 6 CN 18-09, BS 304S31. Steel thickness 1.2mm (splashback) 0.9mm (bowl).

colour

Stainless steel.

fixings

Splashback wall fixing. Fixings not supplied.



All measurements shown are in millimetres. Drawing sizes are not to scale.

Lawton Road, Alsager, Stoke-on-Trent ST7 2DF, UK
 Tel: +44(0) 1270 879777 Fax: +44(0) 1270 873864
 www.twyfordbathrooms.com UK Technical Helpline Tel: 0844 412 5921 Fax: 0844 412 5922

Twyford
bathrooms