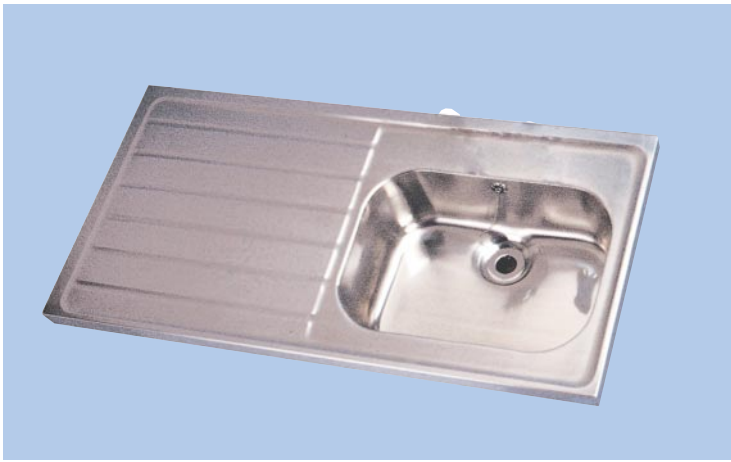


# sink(s) & drainer(s) ST A/B/C

smooth radiused corners for easy cleaning  
left or right hand sink/drainer



1200mm sink and drainer (no tap, left hand drainer illustrated)

### to specify/order:

Please use the eight character reference shown below.

### sink and drainer

1200 x 600 x 220mm

Single sink & single drainer, satin polish finish, waste:

- 2 tap RH drainer, LH sink **PS4050SS**
- No tap RH drainer, LH sink ST A **PS4150SS**
- 2 tap LH drainer, RH sink **PS4051SS**
- No tap LH drainer, RH sink ST A **PS4151SS**

1800 x 600 x 220mm

Single sink & 2 drainers, satin polish finish, waste:

- 2 tap central sink, LH & RH drainer **PS4052SS**
- No tap central sink, LH & RH drainer ST B **PS4152SS**

1800 x 600 x 220mm

Double sink & single drainer, satin polish finish, waste:

- 2 tap RH drainer, LH sinks **PS4053SS**
- No tap RH drainer, LH sinks ST C **PS4153SS**
- 2 tap LH drainer, RH sinks **PS4054SS**
- No tap LH drainer, RH sinks ST C **PS4154SS**

### cantilever bracket

- Cantilever bracket, stainless steel:
- Pair for 1200 & 1800 (single sink) **PS9018SS**

### leg supports

- Leg supports, stainless steel:
- Pair for 1200 & 1800 (single sink) **PS9019SS**

### leg supports

- Legs set (3 off) for 1800 (double sink) **PS4063SS**

### brassware

Please refer to the brassware section.

### applications

Commercial, Healthcare.

### approvals

H.T.M. 64, code ST A/B/C (no tap).

### material

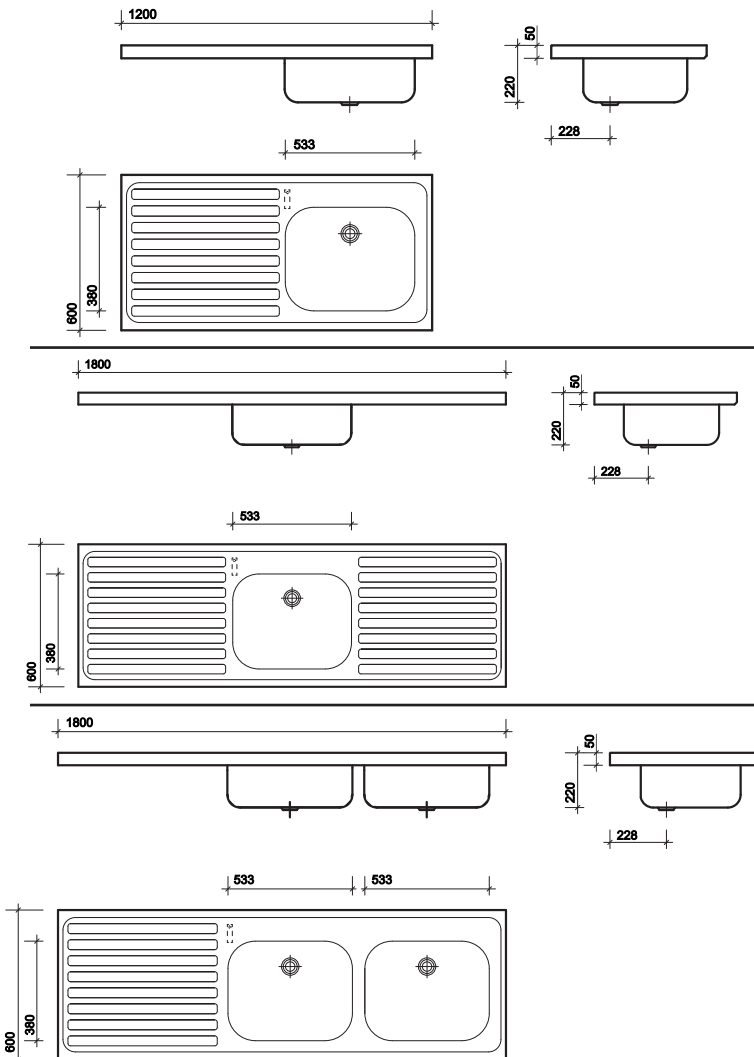
Stainless steel type 304 to EN 1 4401 or SS2333, AFNOR Z 6 CN 18-09, BS 304S31. 1.2mm (top) 0.9mm (bowl) steel thickness.

### colour

Stainless steel.

### fixings

- (a) Screw to wall cantilever brackets or
- (b) Leg supports with screw to wall bearers. (Fixings not supplied).



All measurements shown are in millimetres. Drawing sizes are not to scale.