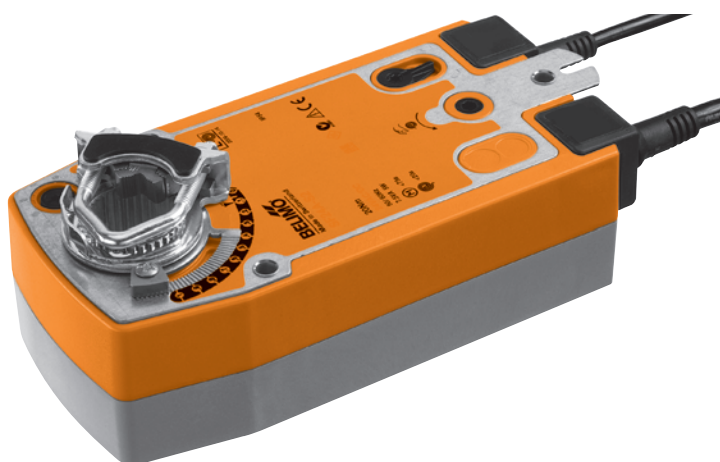


Spring return actuator with emergency function for adjusting air dampers in ventilation and air conditioning systems in buildings

- For air dampers up to approx. 4 m<sup>2</sup>
- Torque 20 Nm
- Nominal voltage AC 230 V
- Control: Open-close
- Two integrated auxiliary switches


**Technical data**

<b>Electrical data</b>	Nominal voltage	AC 230 V, 50/60 Hz		
	Nominal voltage range	AC 195 ... 264 V		
	Power consumption	In operation	6.5 W @ nominal torque	
		At rest	3.5 W	
		For wire sizing	18 VA	
Auxiliary switch	2 x SPDT, 1 mA ... 3 (0.5) A, AC 250 V <input type="checkbox"/> (1 x fix 10% / 1 x adjustable 10 ... 90%)			
Connection	Motor	Cable 1 m, 2 x 0.75 mm <sup>2</sup>		
	Auxiliary switch	Cable 1 m, 6 x 0.75 mm <sup>2</sup>		
<b>Functional data</b>	Torque	Motor	Min. 20 Nm @ nominal voltage	
		Spring return	Min. 20 Nm	
	Direction of rotation	Can be selected by mounting L / R		
	Manual override	With hand crank and interlocking switch		
	Angle of rotation	Max. 95°↔, can be limited with adjustable mechanical end stop		
	Running time	Motor	≤75 s (0 ... 20 Nm)	
		Spring return	≤20 s @ -20 ... 50°C / max. 60 s @ -30°C	
	Sound power level	Motor	≤45 dB (A)	
		Spring return	≤62 dB (A)	
	Service life	Min. 60,000 emergency positions		
Position indication	Mechanical			
<b>Safety</b>	Protection class	II Totally insulated <input type="checkbox"/>		
	Protection mode	IP54 NEMA2, UL Enclosure Type 2		
	EMC	CE according to 2004/108/EC		
	Low-voltage directive	CE according to 2006/95/EC		
	Certification	cULus according to UL 60730-1A and UL 60730-2-14 and CAN/CSA E60730-1:02 Certified to IEC/EN 60730-1 and IEC/EN 60730-2-14		
	Mode of operation	Type 1.AA.B		
	Rated impulse voltage	Actuator	4 kV	
		Auxiliary switch	2.5 kV	
	Control pollution degree	3		
	Ambient temperature	-30 ... +50°C		
Non-operating temperature	-40 ... +80°C			
Ambient humidity	95% r.h., non-condensating			
Maintenance	Maintenance-free			
<b>Dimensions / Weight</b>	Dimensions	See «Dimensions» on page 3		
	Weight	Approx. 2.3 kg		

## Safety notes



- The actuator is not allowed to be used outside the specified field of application, especially in aircraft or in any other airborne means of transport.
- **Caution: Power supply voltage!**
- It may only be installed by suitably trained personnel. Any legal regulations or regulations issued by authorities must be observed during assembly.
- The device may only be opened at the manufacturer's site. It does not contain any parts that can be replaced or repaired by the user.
- The cable must not be removed from the device.
- When calculating the required torque, the specifications supplied by the damper manufacturers (cross-section, design, installation site), and the air flow conditions must be observed.
- The device contains electrical and electronic components and is not allowed to be disposed of as household refuse. All locally valid regulations and requirements must be observed.

## Product features

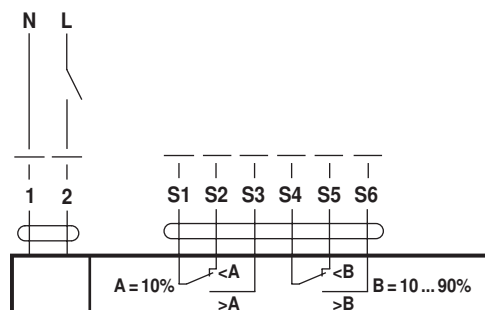
<b>Mode of operation</b>	The actuator moves the damper to the operating position at the same time as tensioning the return spring. The damper is turned back to the emergency position by spring force if the supply voltage is interrupted.
<b>Simple direct mounting</b>	Simple direct mounting on the damper spindle with a universal spindle clamp, supplied with an anti-rotation strap to prevent the actuator from rotating.
<b>Manual override</b>	Manual operation of the damper with the hand crank, locking in any position with the interlocking switch. Unlocking is manual or automatic by applying the operating voltage.
<b>Adjustable angle of rotation</b>	Adjustable angle of rotation with mechanical end stop.
<b>High operational reliability</b>	The actuator is overload-proof, requires no limit switches and automatically stops when the end stop is reached.
<b>Flexible signalization</b>	The actuator has one auxiliary switch with a fixed setting and one adjustable auxiliary switch. They permit a 10% or 10 ... 90% angle of rotation to be signalled.

## Electrical installation

## Wiring diagram

## Notes

- Caution: Power supply voltage!
- Parallel connection of other actuators possible. Note the performance data.



## Cable colours:

- 1 = black
- 2 = red
- S1 = violet
- S2 = red
- S3 = white
- S4 = orange
- S5 = pink
- S6 = grey

## Accessories



	Description
<b>Electrical accessories</b>	Auxiliary switch S2A-F
<b>Mechanical accessories</b>	Various accessories (clamps, shaft extensions etc.)

Dimensions [mm]

Dimensional drawings



Variant 1a:

3/4"-spindle clamp (with insertion part) EU Standard

Damper spindle	Length	● I	■ I	◆ I
	≥85	10...22	10	14...25.4
	≥15			



Variant 1b:

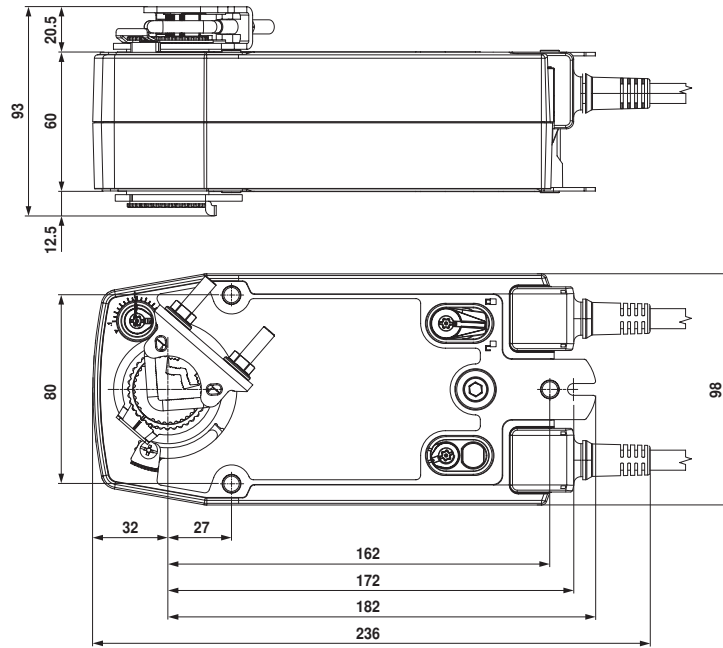
1"-spindle clamp (without insertion part) EU Standard

Damper spindle	Length	● I	■ I
	≥85	19...25.4	12...18
	≥15	(26.7)	

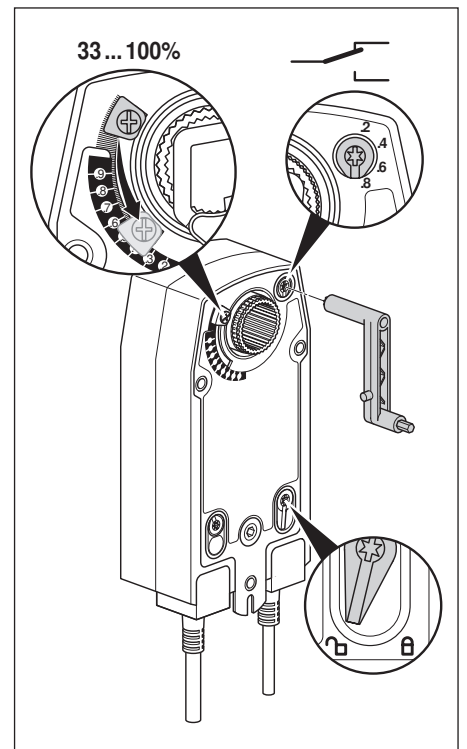
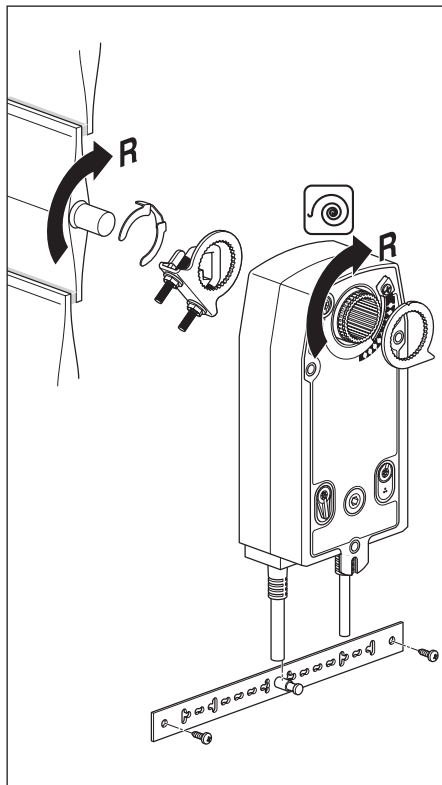
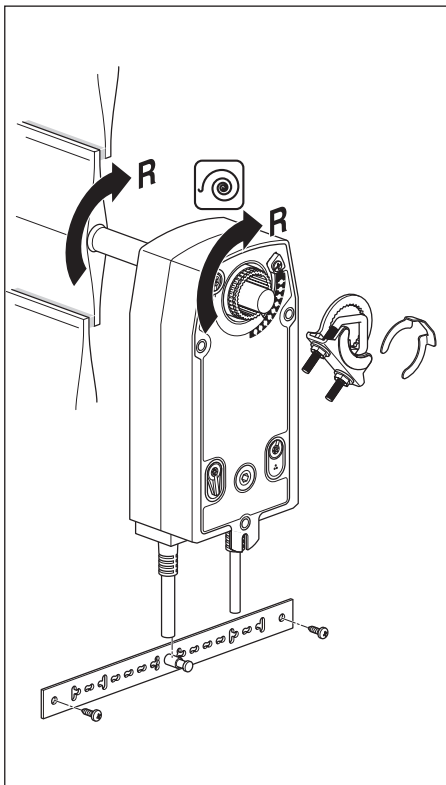
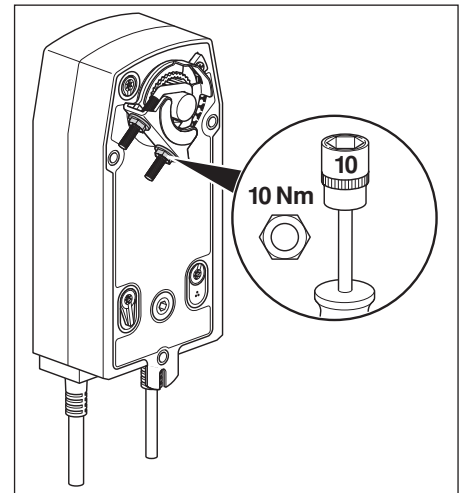
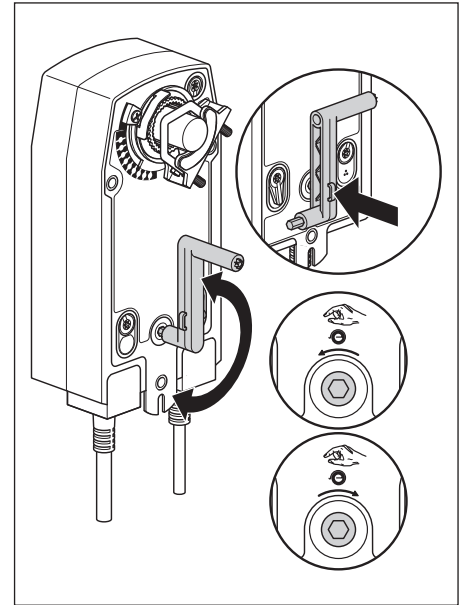
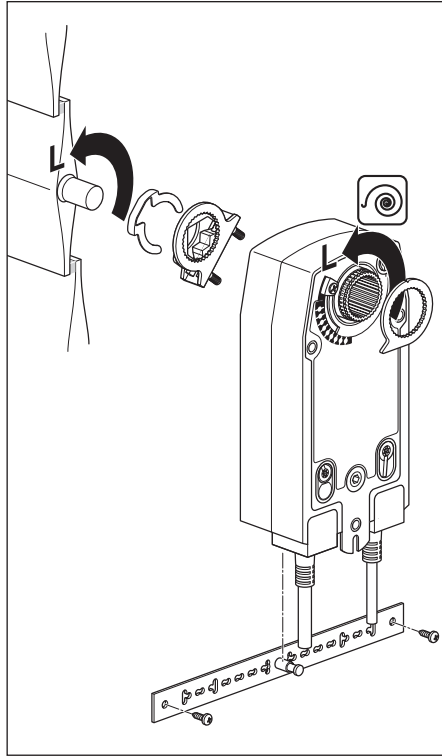
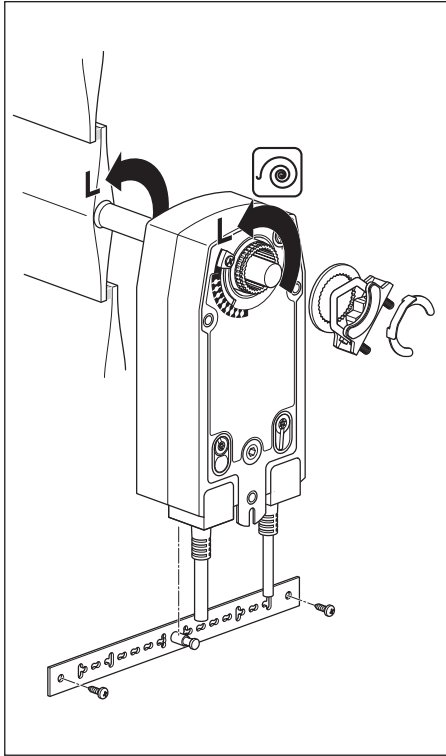
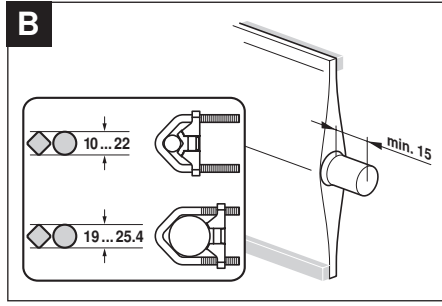
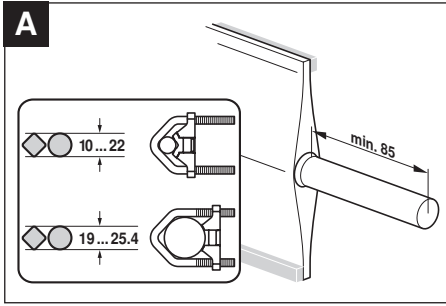
Variant 2:

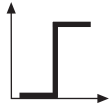
1/2"-spindle clamp (optional via configuration)

Damper spindle	Length	● I	◆ I
	≥85	10...19	14...20
	≥15		

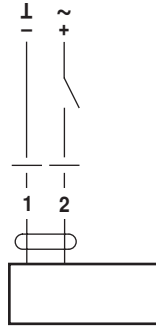


71127-00001.D

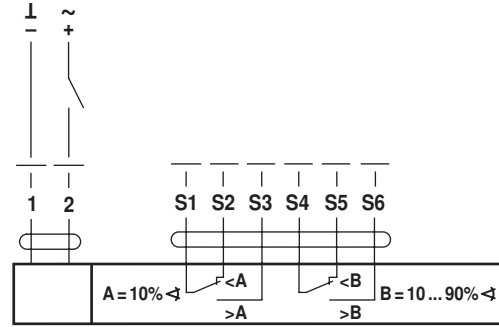




AC 24 V / DC 24 V

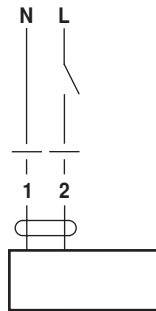


NF24A  
SF24A

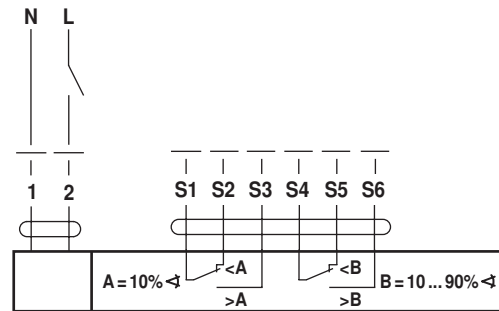


NF24A-S2  
SF24A-S2

AC 100 ... 240 V



NF230A  
SF230A



NF230A-S2  
SF230A-S2