



Markwik 1/2in Pillar Mixer Single Flow 125mm Nozzle, 150mm Levers

Illustrated

S8200 Markwik 1/2in pillar mixer with 15cm levers single flow pattern swivel nozzle, 125mm projection, anti splash outlet

Configuration options

Material

Chrome Plated Metal

Weights

S8200 2.897KG

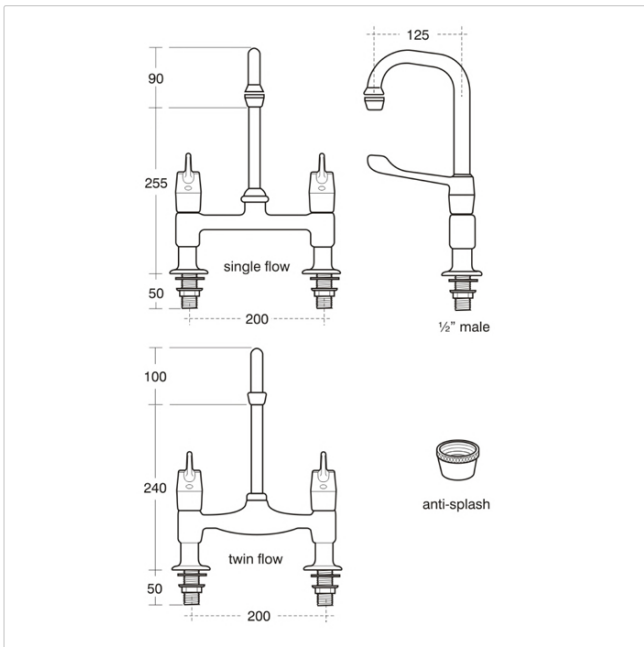
Colours

Chromium plated (AA)

Special Notes

Flow rate 9 Litres per minute @ 0.1 bar.

Consideration should be given to safe hot water delivery and the use of an appropriate temperature reduction device see A5900AA.



Frequently used applications

General Healthcare

Hotels

*Armitage
Shanks*

Tel: 0870 122 8822
Fax: 0870 122 8282
Email: info@idealspec.co.uk
Web: www.idealspec.co.uk

Ideal Standard (UK) Ltd. makes every effort to ensure that the information provided on its website is accurate. However, we cannot guarantee this, and accept no liability for any information or advice given via its website.

Powered by
IdealSpec

Date created:24/02/2013