

Nuastyle Washbasin Thermostatic 1 Hole Mixer Sequential Lever, Flexible tails

Illustrated

S7449 Nuastyle washbasin thermostatic mixer 1 hole sequential lever, flexible tails

Configuration options

Material

Chrome Plated Brass

Weights

S7449 2.50KG

Colours

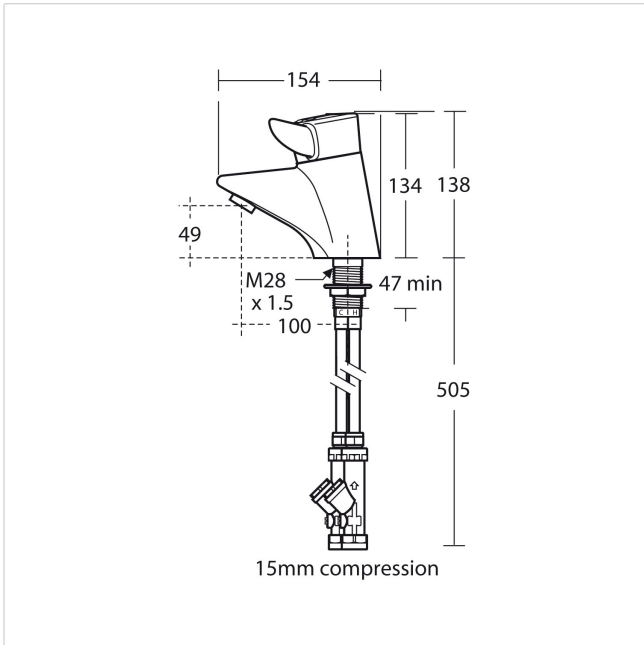
Chromium plated (AA)

Standards

Conforms to HTM64 (2006), HTM04 and DocM. TMV 3 Thermostatic Mixing Valve approved.

Special Notes

Suitable for use with handrinse basins in public areas. Tap indices designed in consultation with RNIB (Royal National Institute of the Blind)



Frequently used applications

Education	Factory
General Healthcare	Hospitals
Hotels	Office
Public Building	Retail
Sports and Leisure	Vandal Risk

Features

DocM
HTM
Special Care

*Armitage
Shanks*

Tel: 0870 122 8822
Fax: 0870 122 8282
Email: info@idealspec.co.uk
Web: www.idealspec.co.uk

Ideal Standard (UK) Ltd. makes every effort to ensure that the information provided on its website is accurate. However, we cannot guarantee this, and accept no liability for any information or advice given via its website.

Powered by
Ideal Spec

Date created:17/03/2015