



Clyde Sink LH Bowl, No Taphole

Illustrated

- S6558** (PS H) Clyde plaster sink left hand sink with work surface stainless steel integral brackets
- S8270** (TB H1) Markwik ½" bib taps
- S8336** Bib tap wall mounts ½" for concealed plumbing (pair)
- S8347** Bib tap extensions ½" x 100mm long (pair)

Configuration options

- S9281** Leg 900mm stainless steel to floor (2 required)

Material

Stainless Steel

Weights

- S6558 23.00KG
- S8270 1.65KG
- S8336 0.79KG
- S8347 0.80KG

Standards

Stainless steel sheet to BS EN 10088: Part 2: 2005.

Special Notes

HTM64 does not cover for the provision of leg supports to floor. For the disposal of plaster waste.

Colours

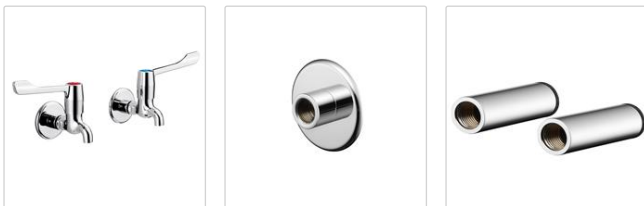
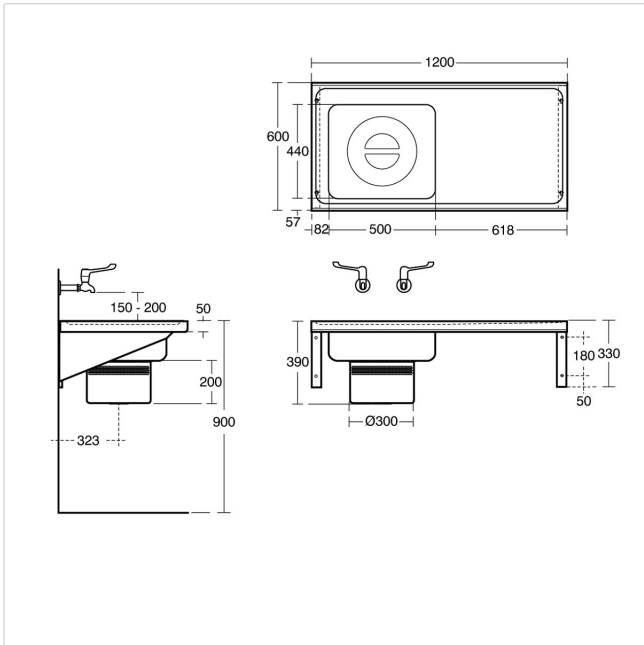
Stainless Steel (MY)

Frequently used applications

- | | |
|--------------------|-----------|
| Education | Factory |
| General Healthcare | Hospitals |

Features

HTM



*Armitage
Shanks*

Tel: 0870 122 8822
 Fax: 0870 122 8282
 Email: info@idealspec.co.uk
 Web: www.idealspec.co.uk

Ideal Standard (UK) Ltd. makes every effort to ensure that the information provided on its website is accurate. However, we cannot guarantee this, and accept no liability for any information or advice given via its website.

Powered by
IdealSpec

Date created:28/01/2014