



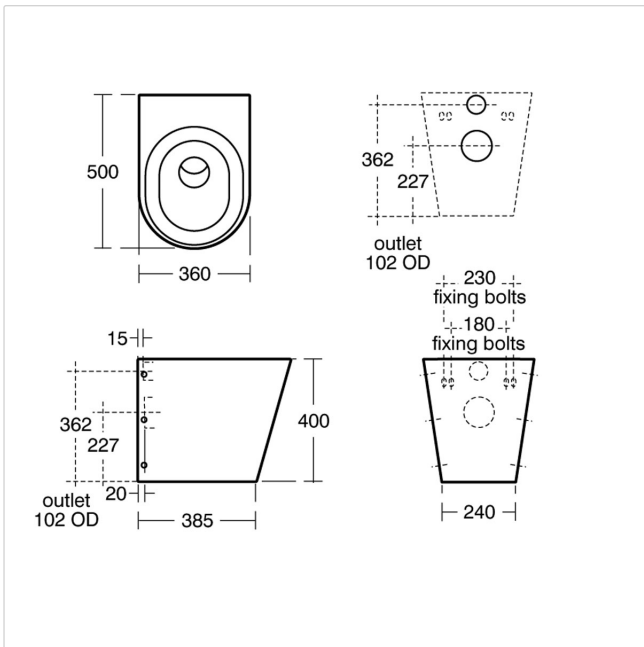
Perth 2 Stainless Steel WC Pan No Seat Holes

Illustrated

- S3443** Perth 2 back inlet WC pan with horizontal outlet, no seat holes for extra anti-vandal properties
- S3622** Conceala 2 cistern 6 litre single flush valve side supply and internal overflow, alternative height plastic flushbends, no push button
- S4445** Finger push button non-projecting, stainless steel vandal resistant pattern

Configuration options

- S3623** Conceala 2 cistern 6 litre single flush valve bottom supply and internal overflow, alternative height plastic flushbends
- S4512** Finger push button pneumatic, stainless steel for 31mm maximum thickness partition
- S4454** Finger push button mechanism for high level concealed cistern, for 150mm maximum wall thickness
- S4456** Finger push button mechanism for low level concealed cistern, for 150mm maximum wall thickness
- S4489** Finger push button pneumatic, stainless steel body for 400mm maximum wall thickness
- S4305** Panekta outlet Connector, finned pattern to convert horizontal outlet WCs to P trap
- S4300** Panekta outlet Connector, finned pattern to convert horizontal outlet WCs to S or turned P trap



Weights

- S3443 11.50KG
- S3622 3.00KG
- S4445 2.05KG

Standards

Stainless steel sheet conforms to BS EN 10088: Part 2:2005. WC pan to BS EN 997

Colours

Stainless Steel (MY)

Special Notes

For valve cisterns only, not syphon/lever operated. Supplied with earthing tag. WC pan secured with fixing bolts supplied. Joint to wall sealed with waterproof sealant (not supplied).

Frequently used applications

- Factory
- Public Building
- Sports and Leisure
- Vandal Risk

*Armitage
Shanks*

Tel: 0870 122 8822
 Fax: 0870 122 8282
 Email: info@idealspec.co.uk
 Web: www.idealspec.co.uk

Ideal Standard (UK) Ltd. makes every effort to ensure that the information provided on its website is accurate. However, we cannot guarantee this, and accept no liability for any information or advice given via its website.



Date created:06/01/2014