

Sentry 21 Back To Wall WC, Washbasin & Shower Pack, Solid Surface, Wave-on Controls, TMV3 Mixing valve included

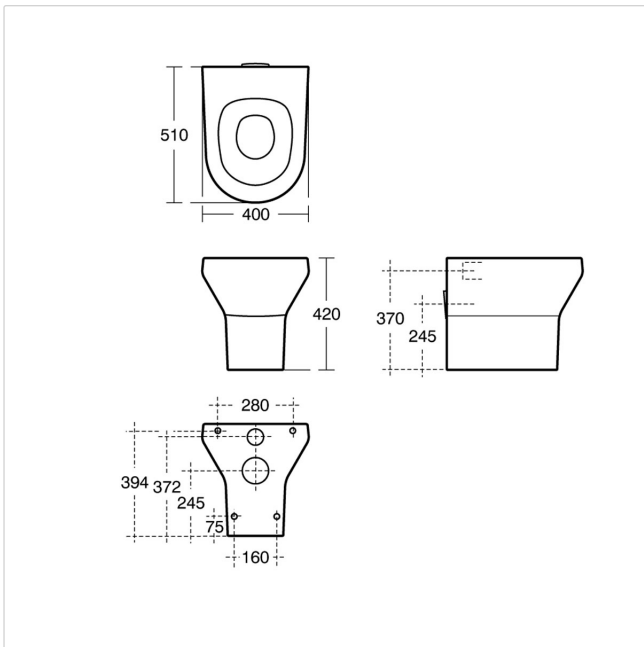
Illustrated

S3310 Sentry 21 back to wall WC, washbasin & shower pack, solid surface material, with cistern and wave-on controls

Configuration options

S3318 Sentry 21 WC stainless steel 100mm wall pipe, for 50mm wall thickness

S3319 Sentry 21 Washbasin stainless steel 100mm wall pipe, for 50mm wall thickness



Weights

S3310 35.29KG

Colours

White (01)

Flow rates

5 Litres per minute @ 3 bar pressure

Standards

Tested at HMP test centre at Lindholme.
Home Office/MOJ/MOD/BMA Accreditation
Fire Rated BS4746 - Class 0

Special Notes

Unfortunately we cannot guarantee protection against those intent on self-harm, but we consider that the design and materials used reduce the risks significantly.

Must be installed using specialist Anti-Pick mastic sealant.

Suitable for 150mm wall thickness. For smaller wall thickness please specify the optional 100mm pipe. For larger wall thicknesses please contact our technical department on the number below.

Frequently used applications

Hospitals

Vandal Risk



Features

Space Saving
Special Care
Water Saving

Accreditations

TMV3