



## Sentry 21 Back To Wall WC Pan Solid Surface With Cistern & Wave on Controls

### Illustrated

**S3302** Sentry 21, back to wall WC pan solid surface material, with cistern and wave-on controls

### Configuration options

**S3318** Sentry 21 WC stainless steel 100mm wall pipe, for 50mm wall thickness

### Weights

S3302 22.25KG

### Colours

White (01)

### Standards

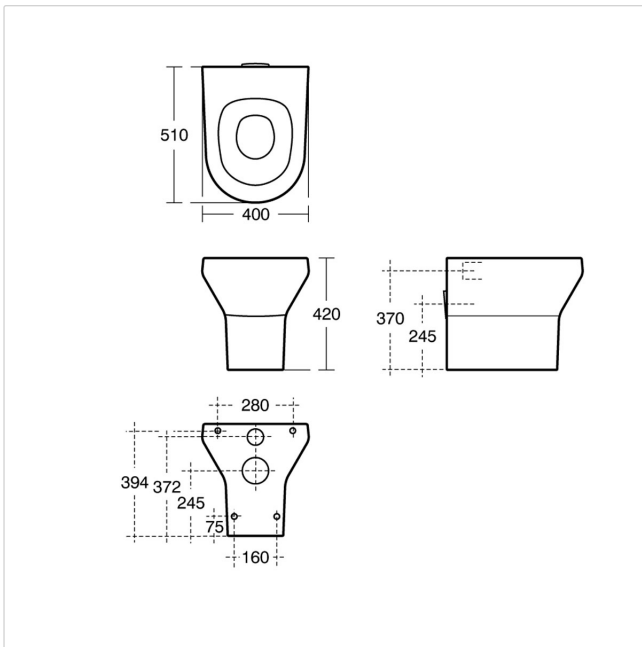
Tested at HMP test centre at Lindholme.  
Home Office/MOJ/MOD/BMA Accreditation  
Fire Rated BS4746 - Class 0

### Special Notes

Unfortunately we cannot guarantee protection against those intent on self-harm, but we consider that the design and materials used reduce the risks significantly.

Must be installed using specialist Anti-Pick mastic sealant.

Suitable for 150mm wall thickness. For smaller wall thickness please specify the optional 100mm pipe. For larger wall thicknesses please contact our technical department on the number below.



### Frequently used applications

Hospitals

Vandal Risk

### Features

Special Care

Water Saving