

Contour 21 Standard Doc M - Individual Items

Illustrated

- S3057** Contour 21 back to wall rimless raised height WC pan with horizontal outlet
- S6454** Contour 21 grab rail straight 60cm long x 35mm diameter
- S6452** Contour 21 grab rail straight 45cm long x 35mm diameter
- S2474** Contour 21 37cm handrinse washbasin right hand taphole no overflow or chainstay hole, bottom outlet
- A4169** Contour 21 washbasin mixer thermostatic 1 hole, single sequential long lever, copper tails
- S8810** Waste 1¼" plastic strainer, dished pattern 80mm unslotted tail
- S9110** Hangers concealed, Steel
- S8910** Trap 1¼" plastic bottle, 75mm seal, multi-purpose outlet
- S9503** Restrictor for WC flushpipe
- S6360** Contour 21 hinged support rail 80 x 35mm diameter, Doc M Compliant
- S6363** Toilet roll holder for Contour 21 hinged arm rail
- S3900** Group low level cistern 6 litre single flush syphon side supply and internal overflow, cp lever (fittings reversible)
- S4066** Contour 21 seat no cover, top fixing hinges and retaining buffers
- S6466** Contour 21 back support rail for 75cm projection WC, 40 x 22 x 35mm diameter tube
- S6884** Cushion for back support with clips, new design
- S4658** Plastic one piece offset flushbend for Doc M Standard WC for use with spacer box
- S5375** Spacer box, laminate faced unit with access panel for Ventura

Configuration options

Material

Vitreous China

Standards

Vitreous china to BS 3402

Weights

S3057	20.61KG
S6454	2.00KG
S6452	0.62KG
S2474	7.50KG
A4169	2.85KG
S8810	0.04KG
S9110	0.24KG
S8910	0.20KG
S9503	0.00KG
S6360	3.15KG
S6363	0.34KG
S3900	16.00KG
S4066	1.55KG
S6466	0.62KG
S6884	4.00KG
S4658	0.10KG
S5375	7.50KG

Special Notes

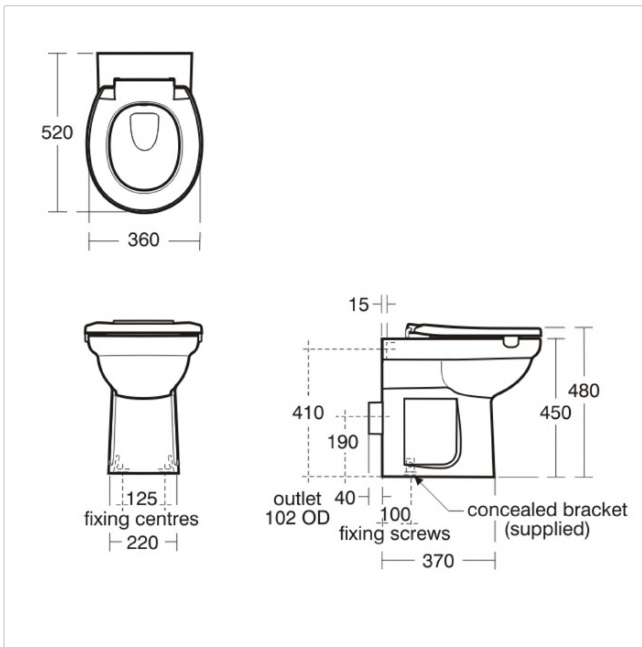
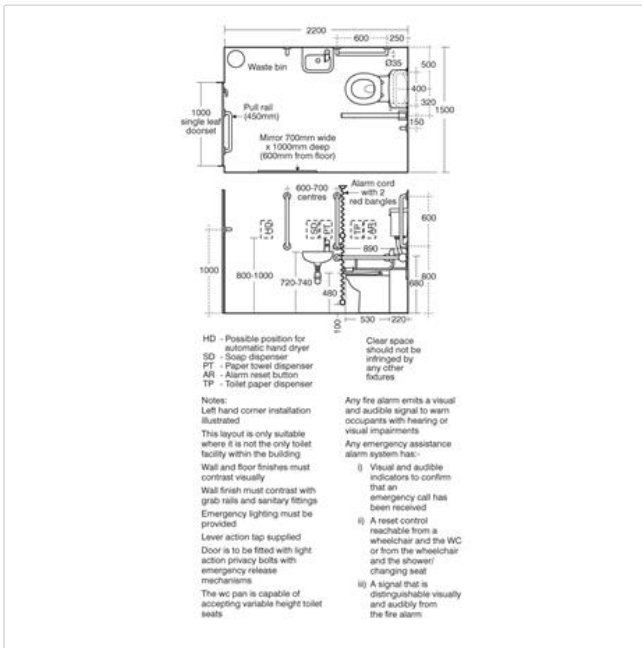
For LRV and RAL numbers see Doc M introduction. For right hand corner arrangement substitute hand rinse washbasin S247301 for S247401. 600mm grab rail S6454 x 4 for room set 450mm grab rail S6452 is for back of door

Colours

White (01)

Frequently used applications

Education	Factory
Hotels	Office





Public Building
Retail

Pubs and Clubs
Sports and Leisure

Features

DocM
Special Care
Water Saving

Accreditations

Water Label
WTL
TMV3
WRAS

*Armitage
Shanks*

Tel: 0870 122 8822
Fax: 0870 122 8282
Email: info@idealspec.co.uk
Web: www.idealspec.co.uk



Ideal Standard (UK) Ltd. makes every effort to ensure that the information provided on its website is accurate. However, we cannot guarantee this, and accept no liability for any information or advice given via its website.

Date created:23/03/2015