

BRACKET
AFTER JUNE 01
REPLACE AS A SET
(PREVIOUSLY PN 60005)

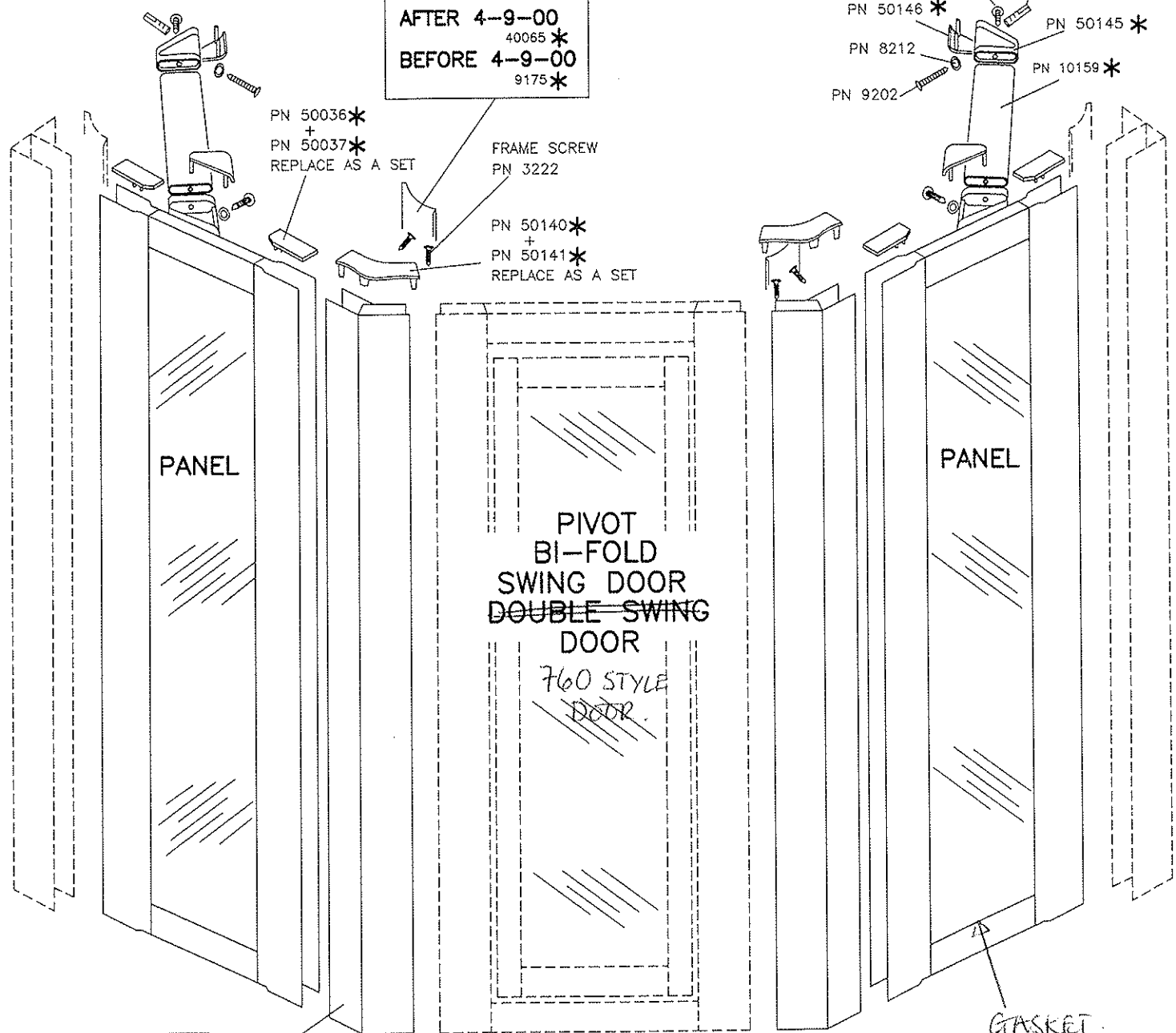
SCREW COVER STRIP
AFTER 4-9-00
40065 *
BEFORE 4-9-00
9175 *

PN 9203
PN 3230
PN 50146 *
PN 8212
PN 9202
PN 50145 *
PN 10159 *

PN 50036 *
+
PN 50037 *
REPLACE AS A SET

FRAME SCREW
PN 3222

PN 50140 *
+
PN 50141 *
REPLACE AS A SET



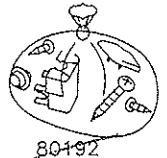
CORNER POST
AFTER 4-9-00
10362 *
BEFORE 4-9-00
9048 *

AFTER JAN 07.
10625

GASKET
4000200.

**CONTROLLED
COPY**

* = A COLOUR SPECIFIC PART

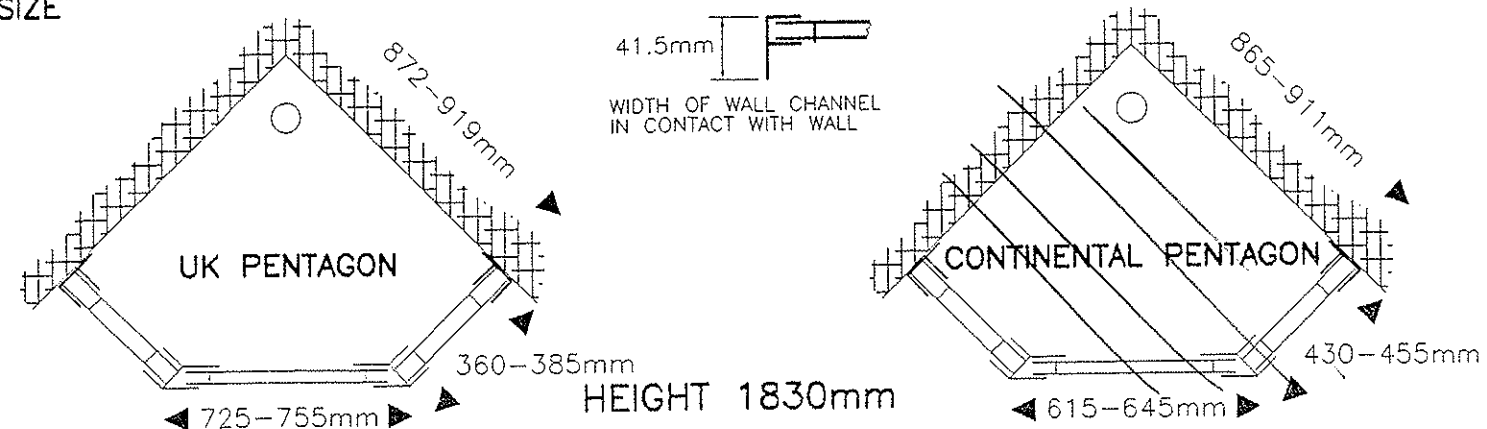




PRODUCT CODES

eg. PPE 90 CUS

SIZE



INSTALLATION

UK PENTAGON:

TO FIT MOST UK 900mm PENTAGON TRAYS (WHEN USED WITH A 760 PREMIER DOOR) INCLUDING:
ARMITAGE SHANKS CONISTON PENTAGON 900
JUST TRAYS NEO ANGLE
ALSTONE EUROLUX
AQUACAST NEO-ANGLE
MARLETON CROSS
WINSOR NEO PENTAGRA
ECCO 5 SIDED
ROMAN COLLAGE CLASSIC
AQUACAST CORNER SHOWER TRAY
H & S NEO ANGLE

WILL NOT FIT:

RAM NIAGRA PREMIER & ZIRCON 950mm PENTAGRA
ALSTONE NEO ANGLE

CONTINENTAL PENTAGON:

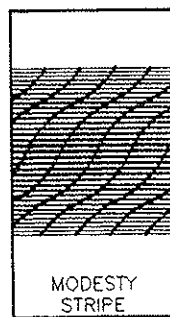
TO FIT UCOSAN 900 PENTAGON TRAY

STAGWOLX INSPIRATION'S 900mm TRAY

INSIDE DOORS ARE NOT RECOMMENDED FOR USE WITH PENTAGON ENCLOSURES. THE INWARD OPENING DOOR IS LIABLE TO HIT THE WALL.
EXTENSION PACKS ARE NOT RECOMMENDED FOR USE WITH THE PREMIER PENTAGON.

GLASS

TOUGHENED	TO BS 6206 CLASS A
THICKNESS	3MM
TINT OPTIONS	CLEAR
PRINT OPTIONS	UNPRINTED
	MODESTY STRIPE CONTINENTAL ONLY



FRAME

ALUMINIUM ALLOY — EXTRUDED TO BS 1474	
FINISH OPTIONS	WHITE POWDER COATED TO BS 6496
	PEARL SILVER ANODISED TO BS 1615
	PEARL GOLD ANODISED TO BS 1615

CONTROLLED COPY

PACKAGING

CORRUGATED 1 PIECE BOX

	UK PENTAGON	CONTINENTAL PENTAGON
GROSS WEIGHT (KG)	16	18
OVERALL PACKED SIZE (MM)	1870 x 450 x 90	1880 x 455 x 100