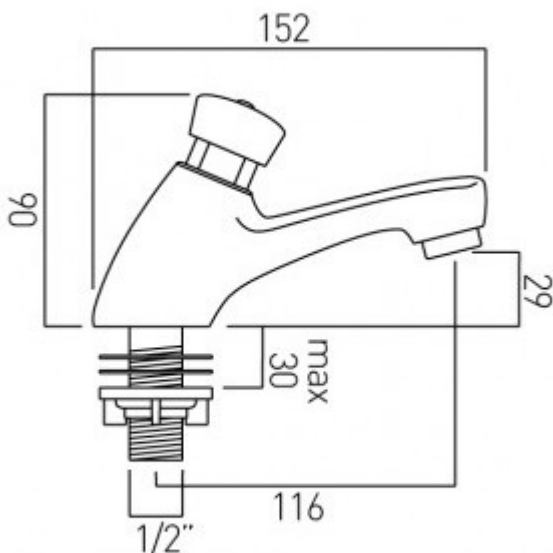




technical drawing



description:

single non-concussive self-closing basin push tap
6 second shut off
supplied with hot and cold indices
with water flow aerator
ceramic cartridge 1/2" x 50mm threaded tail connections
deck mount drill hole diameter 22mm

finishes:

chrome

minimum operating pressure: 0.3 bar LP

Eco flow regulator: FR-100/5-PLA

guarantee:

12 year guarantee

VADO wedmore road cheddar somerset england bs27 3eb

tel 01934 744466 fax 01934 744345 sales@vado-uk.com www.vado-uk.com