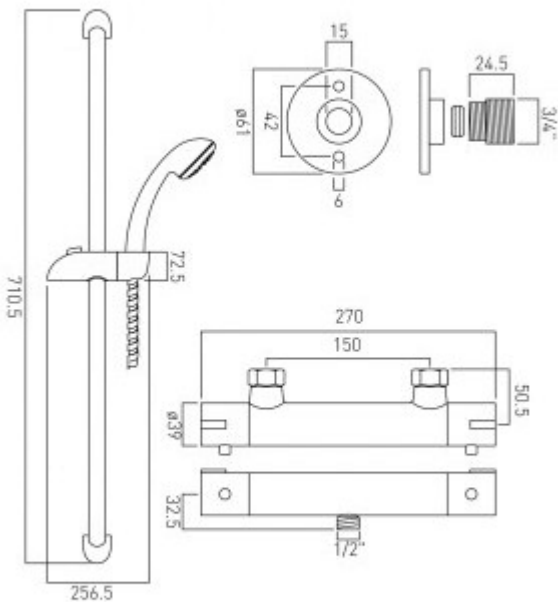




technical drawing



description:

prima wall mounted exposed thermostatic shower valve 1/2" with single function slide rail shower kit and wall mounting brackets

thermostatic cartridge V-001A-PLA
flow cartridge DGS-002B-1/2

kit comprises:
WG-AKIT600-C/P
DGS-149-1/2-C/P
WG-049BRACK&SHR-C/P

finishes:

chrome

minimum operating pressure: 0.2 bar LP

Eco flow regulator: FR-SHOWER/9-C/P

guarantee:

12 year guarantee

VADO wedmore road cheddar somerset england bs27 3eb

tel 01934 744466 fax 01934 744345 sales@vado-uk.com www.vado-uk.com